

Actuators for safety switches NM.VZ

- ▶ Actuators made of stainless steel
- ▶ Two stainless safety screws per actuator
- ▶ Actuators with optional rubber bushings
- ▶ Narrow design optional

Straight actuator

The straight actuator is used on sliding doors or hinged doors with door radii greater than 150 mm. Safety screws prevent unscrewing of the actuator.

Actuator with rubber bush

For flexible mounting of the actuator.

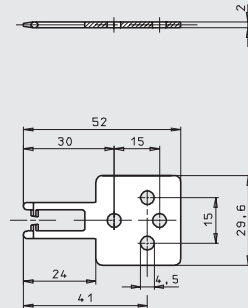
Screws made of stainless steel

The safety screws included can be inserted with a normal tool, but cannot be removed again.

Actuator M-G straight

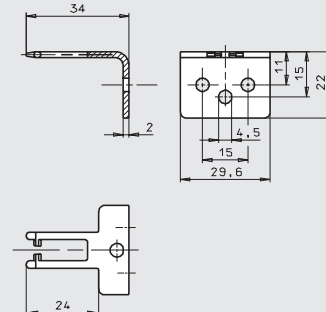
Overtravel 4 mm

Dimension drawings



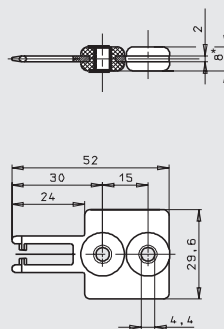
Actuator M-W bent

Overtravel 4 mm



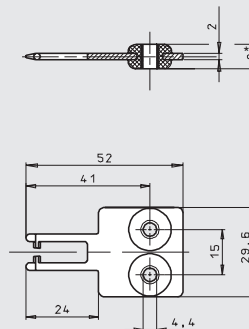
Actuator M-GT straight

Longitudinal rubber bush, overtravel 4 mm



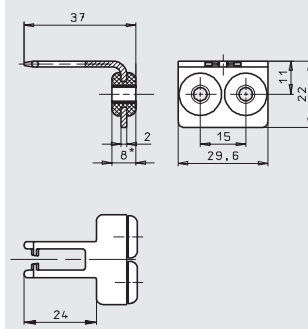
Actuator M-GQ straight

Transverse rubber bush, overtravel 4 mm



Actuator M-WT bent

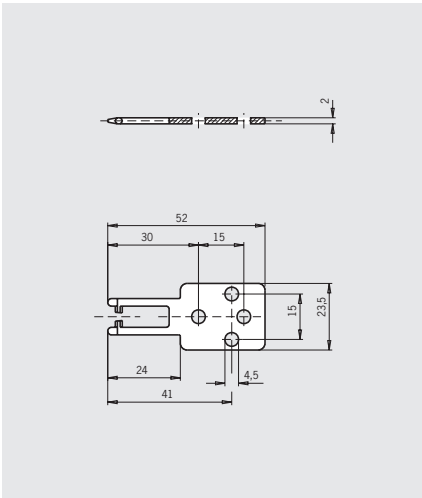
Rubber bush, overtravel 4 mm



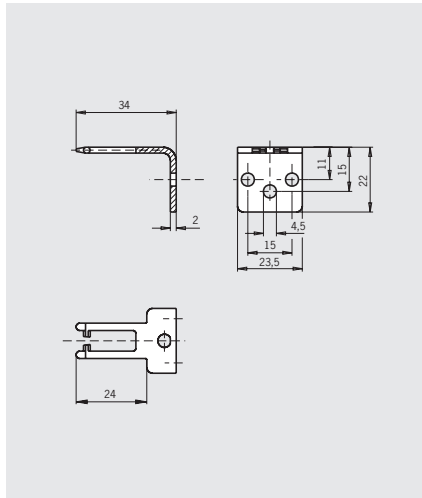
Ordering table

Designation	Version	Min. door radius r [mm]	Packaging unit	Order No.
Actuator straight	M-G 4 mm overtravel incl. 2 safety screws M4 x 14		1 ea.	074 076 ACTUATOR-M-G
Actuator bent	M-W 4 mm overtravel incl. 2 safety screws M5x10		1 ea.	074 077 ACTUATOR-M-W
Actuator straight longitudinal rubber bush	M-GT 4 mm overtravel incl. 2 safety screws M4 x 14		1 ea.	074 078 ACTUATOR-M-GT
Actuator straight transverse rubber bush	M-GQ 4 mm overtravel incl. 2 safety screws M4 x 14		1 ea.	074 079 ACTUATOR-M-GQ
Actuator bent rubber bush	M-WT 4 mm overtravel incl. 2 safety screws M4 x 14		1 ea.	074 080 ACTUATOR-M-WT

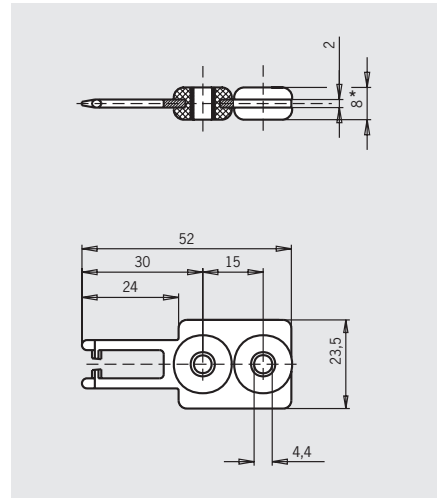
Actuator M-GS straight
Narrow, overtravel 4 mm



Actuator M-WS bent
Narrow, overtravel 4 mm



Actuator M-GTS straight
Rubber bush, narrow, overtravel 4 mm



Ordering table

Designation	Version	Min. door radius r [mm]	Packaging unit	Order No.
Actuator straight narrow	M-GS 4 mm overtravel incl. 2 safety screws M4 x 14		1 ea.	074 128 ACTUATOR-M-GS
Actuator bent narrow	M-WS 4 mm overtravel incl. 2 safety screws M5x10		1 ea.	074 129 ACTUATOR-M-WS
Actuator straight, narrow rubber bush	M-GTS 4 mm overtravel incl. 2 safety screws M4 x 14		1 ea.	074 130 ACTUATOR-M-GTS

For safety precautions see page 136
For technical data see page 99

Actuators for safety switches NP/GP/TP

- ▶ Actuators made of stainless steel
- ▶ Two stainless safety screws per actuator
- ▶ Actuators with optional rubber bushings

Straight actuator

The straight actuator is used on sliding doors or hinged doors with door radii greater than 1000 mm. Safety screws prevent unscrewing of the actuator.

Actuator with overtravel

- ▶ **2 mm** for doors with normal play
- ▶ **7 mm** for doors with large play (optional)

Actuator with rubber bush

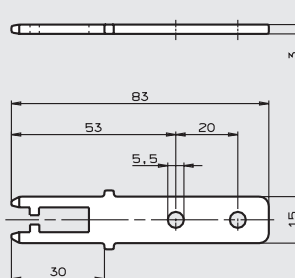
For flexible mounting of the actuator.

Screws made of stainless steel

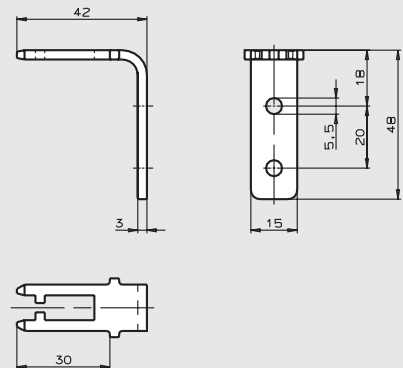
The safety screws included can be inserted with a normal tool, but cannot be removed again.

Actuator P-G straight Overtravel 2 mm

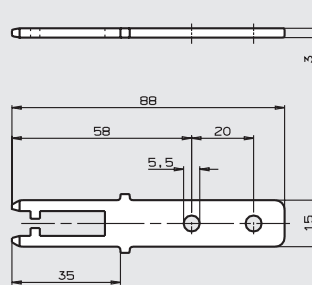
Dimension drawings



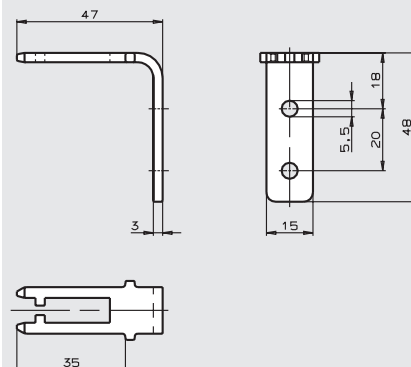
Actuator P-W bent Overtravel 2 mm



Actuator P-GN straight Overtravel 7 mm



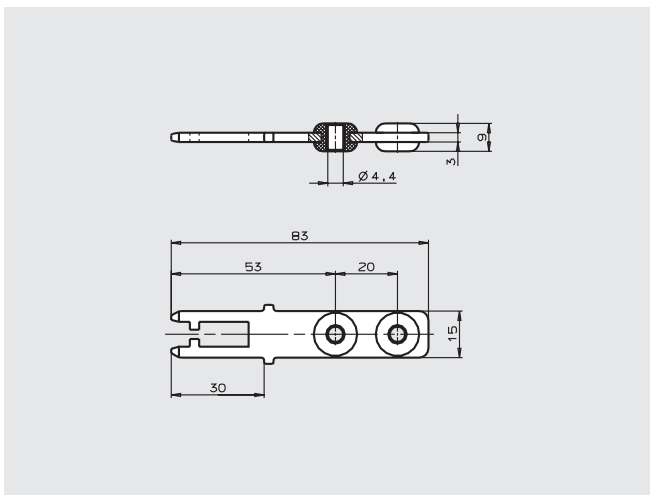
Actuator P-WN bent Overtravel 7 mm



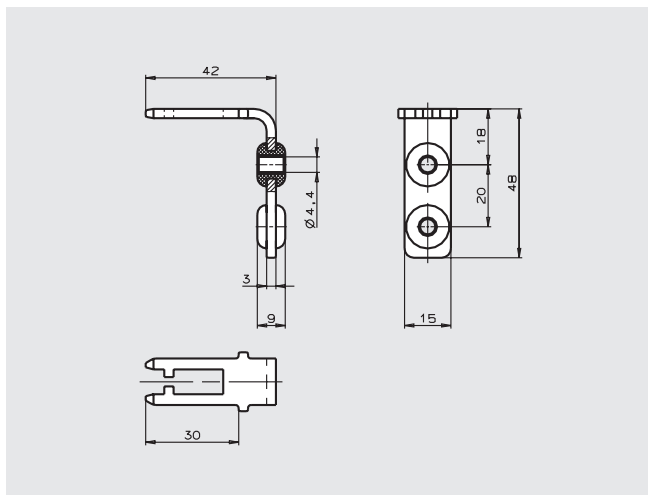
Ordering table

Designation	Version	Min. door radius r [mm]	Packaging unit	Order No.
Actuator straight	P-G Overtravel 2 mm incl. 2 safety screws M5 x 10	1000	1 ea.	059 226 ACTUATOR-P-G
Actuator bent	P-W Overtravel 2 mm incl. 2 safety screws M5 x 10	1000	1 ea.	059 227 ACTUATOR-P-W
Actuator straight overtravel	P-GN Overtravel 7 mm incl. 2 safety screws M5 x 10	1000	1 ea.	074 570 ACTUATOR-P-GN
Actuator bent overtravel	P-WN Overtravel 7 mm incl. 2 safety screws M5 x 10	1000	1 ea.	074 571 ACTUATOR-P-WN

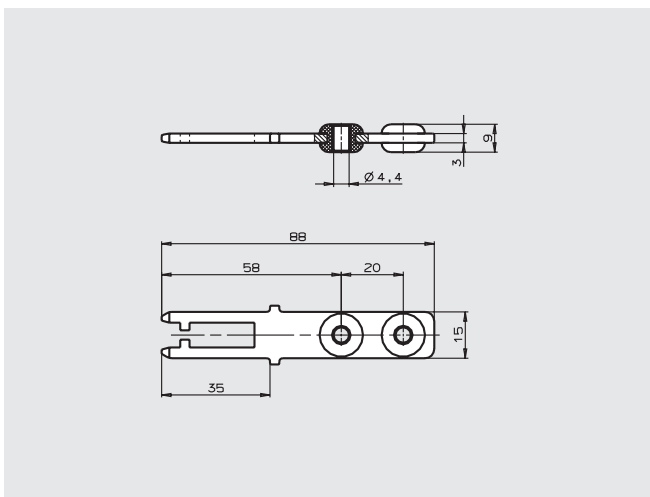
Actuator P-GT straight
Rubber bush, overtravel 2 mm



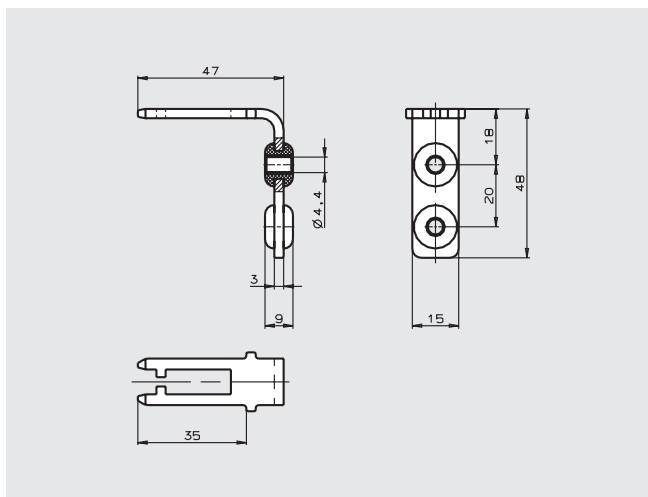
Actuator P-WT bent
Rubber bush, overtravel 2 mm



Actuator P-GNT straight
Rubber bush, overtravel 7 mm



Actuator P-WNT bent
Rubber bush, overtravel 7 mm



Ordering table

Designation	Version	Min. door radius r [mm]	Packaging unit	Order No.
Actuator straight rubber bush	P-GT Overtravel 2 mm incl. 2 safety screws M4 x 14	1000	1 ea.	070 046 ACTUATOR-P-GT
Actuator bent rubber bush	P-WT Overtravel 2 mm incl. 2 safety screws M4 x 14	1000	1 ea.	070 038 ACTUATOR-P-WT
Actuator straight rubber bush, overtravel	P-GNT Overtravel 7 mm incl. 2 safety screws M4 x 14	1000	1 ea.	074 576 ACTUATOR-P-GNT
Actuator bent rubber bush, overtravel	P-WNT Overtravel 7 mm incl. 2 safety screws M4 x 14	1000	1 ea.	074 577 ACTUATOR-P-WNT

For safety precautions see page 136
For technical data see page 99

Hinged actuators for safety switches NP/GP/TP

- ▶ Actuators made of stainless steel
- ▶ Two stainless safety screws per actuator
- ▶ For top and bottom hinged doors
- ▶ For right and left hinged doors

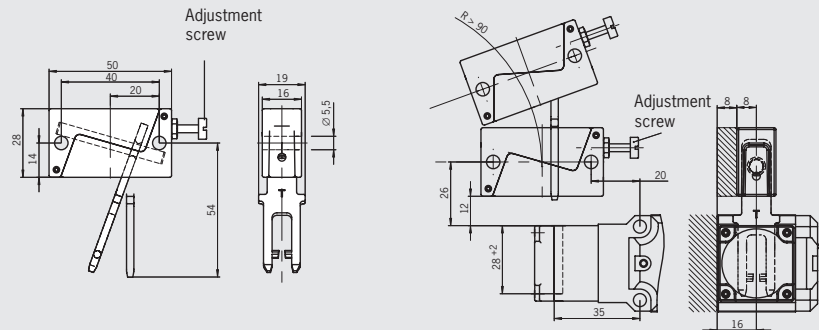
Hinged actuator

For door radii less than 1000 mm a hinged actuator should be used. The spring action movement of the actuator prevents damage due to the actuator jamming in the actuating head. Depending on the movement of the safety guard, the actuator must be selected for left/right or top/bottom.

Hinged actuator P-OU

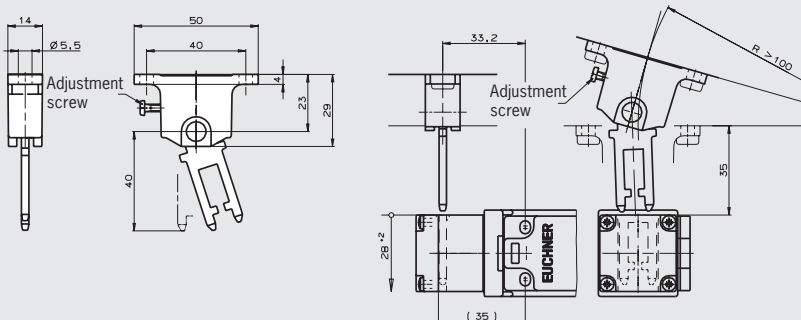
Safety guard hinged at top/bottom, overtravel 2 mm

Dimension drawings



Hinged actuator P-LR

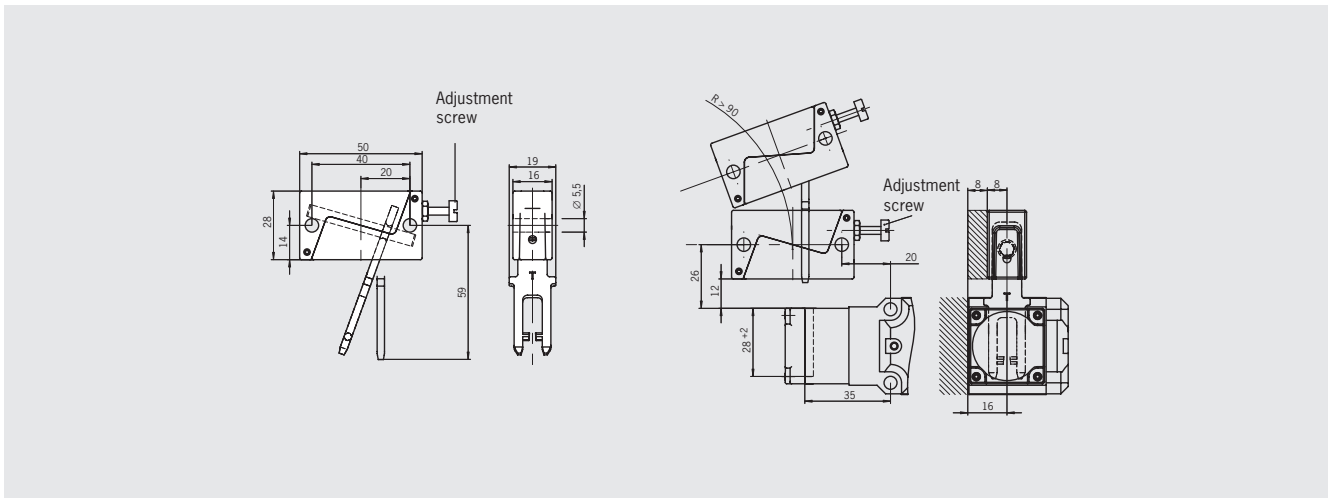
Safety guard hinged on left/right, overtravel 2 mm



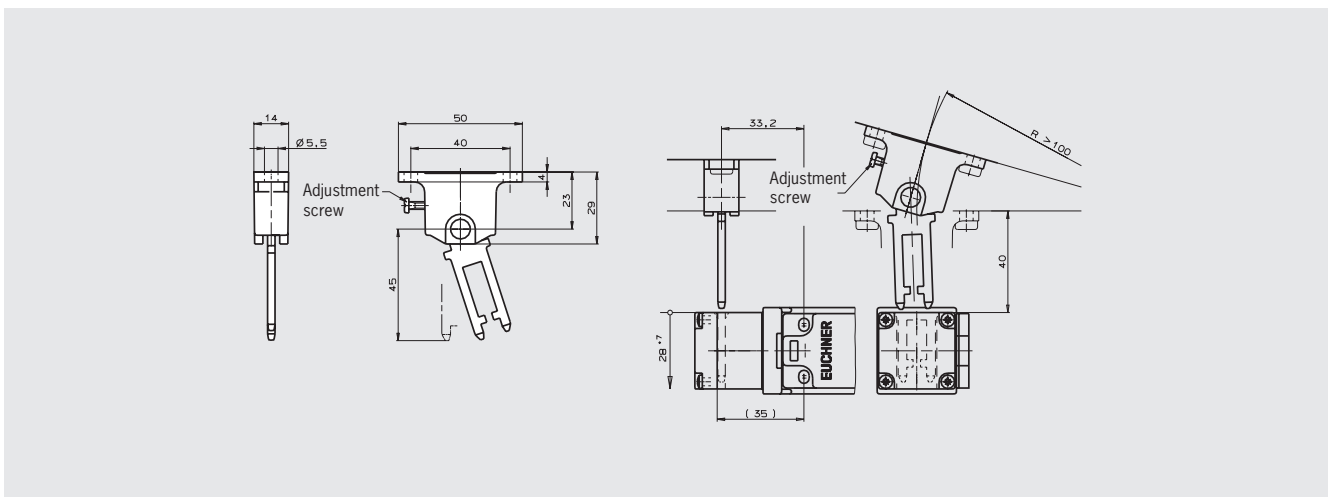
Ordering table

Designation	Version	Min. door radius r [mm]	Packaging unit	Order No.
Hinged actuator	P-OU For top and bottom hinged doors overtravel 2 mm incl. 2 safety screws M5 x 25	90	1 ea.	070 050 HINGED ACTUATOR P-OU
	P-LR For left and right hinged doors overtravel 2 mm incl. 2 safety screws M5 x 10	100	1 ea.	059 440 HINGED ACTUATOR P-LR

Hinged actuator P-OUN Safety guard hinged at top/bottom, overtravel 7 mm



Hinged actuator P-LRN Safety guard hinged on left/right, overtravel 7 mm



Ordering table

Designation	Version	Min. door radius r [mm]	Packaging unit	Order No.
Hinged actuator	P-OUN For top and bottom hinged doors overtravel 7 mm incl. 2 safety screws M5 x 25	90	1 ea.	074 572 HINGED ACTUATOR P-OUN
	P-LRN For left and right hinged doors overtravel 7 mm incl. 2 safety screws M5 x 10	100	1 ea.	074 573 HINGED ACTUATOR P-LRN

For safety precautions see page 136
For technical data see page 99

Actuators for safety switches SGP/STA/STP/STM

- ▶ Two stainless safety screws per actuator
- ▶ Actuators with and without rubber bushings

Note

Type S actuators must not be used in conjunction with insertion funnels.

L actuators must be used for insertion funnels.

Straight actuator

Suitable for a maximum tensile force of 2500 N for STP, or 3000 B for STA

The straight actuator is used on sliding doors or hinged doors with door radii greater than 300 mm. Safety screws prevent unscrewing of the actuator.

Bent actuator

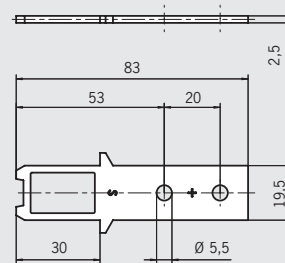
Suitable for a maximum tensile force of 1500 N.

Screws made of stainless steel

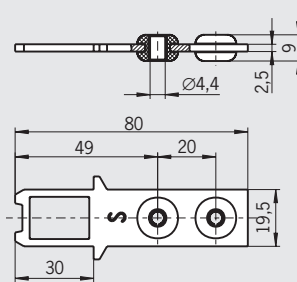
The safety screws included can be inserted with a normal tool, but cannot be removed again.

Standard actuator S, straight (dimensionally compatible with actuator P-G for TP) without rubber bush, overtravel 5 mm

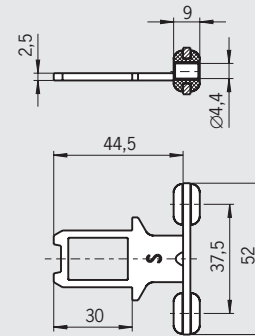
Dimension drawings



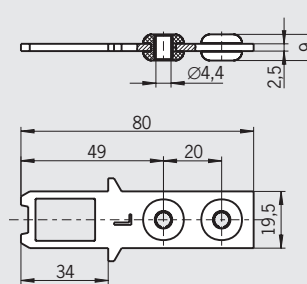
Standard actuator S, straight with rubber bush, overtravel 5 mm



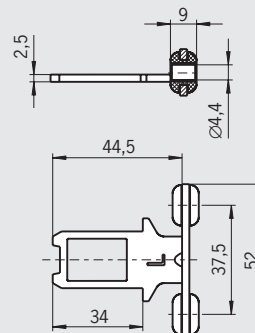
Standard actuator S, bent with rubber bush, overtravel 5 mm



Actuator L, straight, for insertion funnel with rubber bush, overtravel 5 mm



Actuator L, bent, for insertion funnel with rubber bush, overtravel 5 mm



Ordering table

Designation	Version	Min. door radius r [mm]	Packaging unit	Order No.
Actuator S straight	S-G-SN-C2115 without rubber bush, overtravel 5 mm incl. 2 safety screws M5 x 10	300	1 ea.	097 861 ACTUATOR S-G-SN-C2115
	S-GT-SN with rubber bush, overtravel 5 mm incl. 2 safety screws M4 x 14	300	1 ea.	095 738 ACTUATOR S-GT-SN
Actuator S bent	S-WQ-SN with rubber bush, overtravel 5 mm incl. 2 safety screws M4 x 14	300	1 ea.	095 740 ACTUATOR S-WQ-SN
Actuator L straight	S-GT-LN with rubber bush, overtravel 5 mm incl. 2 safety screws M4 x 14	300	1 ea.	095 739 ACTUATOR S-GT-LN
Actuator L bent	S-WQ-LN with rubber bush, overtravel 5 mm incl. 2 safety screws M4 x 14	300	1 ea.	095 741 ACTUATOR S-WQ-LN

Hinged actuators for safety switches SGP/STA/STP/STM

- ▶ Actuators made of stainless steel
- ▶ Two stainless safety screws per actuator
- ▶ For top and bottom hinged doors
- ▶ For right and left hinged doors

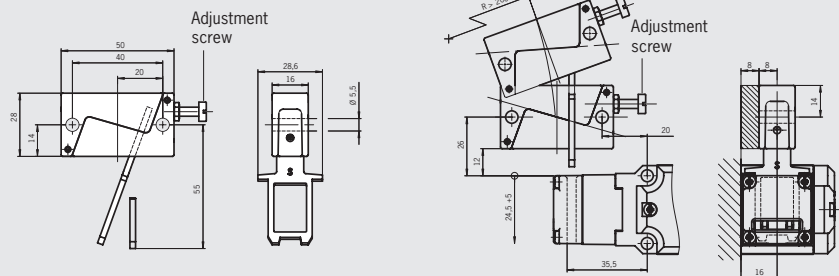
Hinged actuator

For door radii less than 1000 mm a hinged actuator should be used. The spring action movement of the actuator prevents damage due to the actuator jamming in the actuating head. Depending on the movement of the safety guard, the actuator must be selected for left/right or top/bottom.

Hinged actuator S-OU-SN

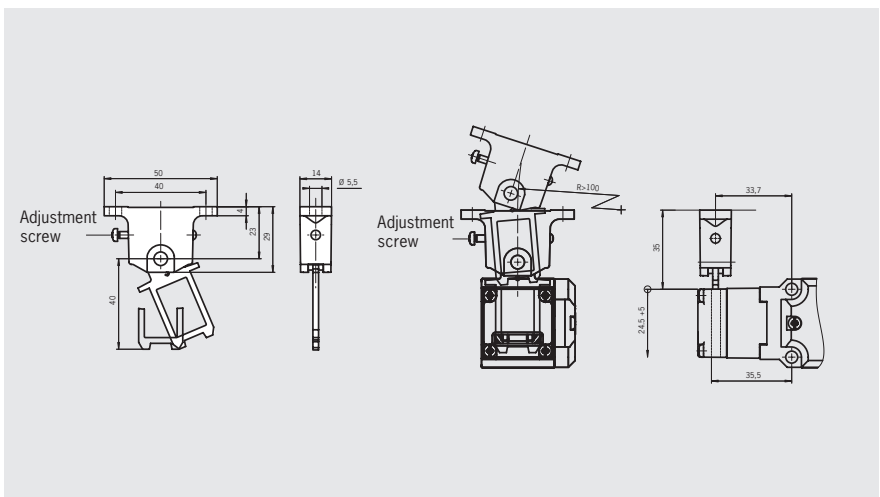
Safety guard hinged at top/bottom, overtravel 5 mm

Dimension drawings



Hinged actuator S-LR-SN

Safety guard hinged on left/right, overtravel 5 mm



Ordering table

Designation	Version	Min. door radius r [mm]	Packaging unit	Order No.
Hinged actuator	S-OU-SN For top and bottom hinged doors overtravel 5 mm incl. 2 safety screws M5 x 25	200	1 ea.	095 315 HINGED ACTUATOR-S-OU-SN
	S-LR-SN For left and right hinged doors overtravel 5 mm incl. 2 safety screws M5 x 10	100	1 ea.	096 838 HINGED ACTUATOR-S-LR-SN

For safety precautions see page 136
For technical data see page 99

Hinged actuators for safety switches SGP/STA/STP/STM

- ▶ Actuators made of stainless steel
- ▶ Two stainless safety screws per actuator
- ▶ For top and bottom hinged doors
- ▶ For right and left hinged doors

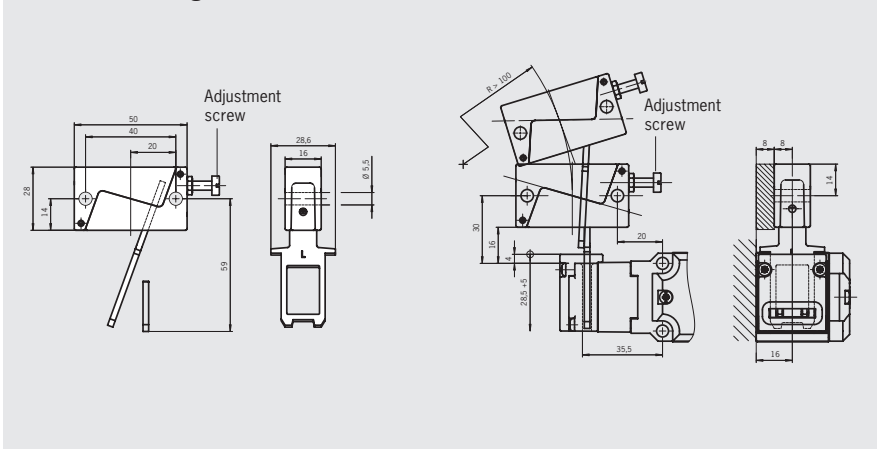
Hinged actuator

For door radii less than 1000 mm a hinged actuator should be used. The spring action movement of the actuator prevents damage due to the actuator jamming in the actuating head. Depending on the movement of the safety guard, the actuator must be selected for left/right or top/bottom.

Hinged actuator S-OU-LN for insertion funnel

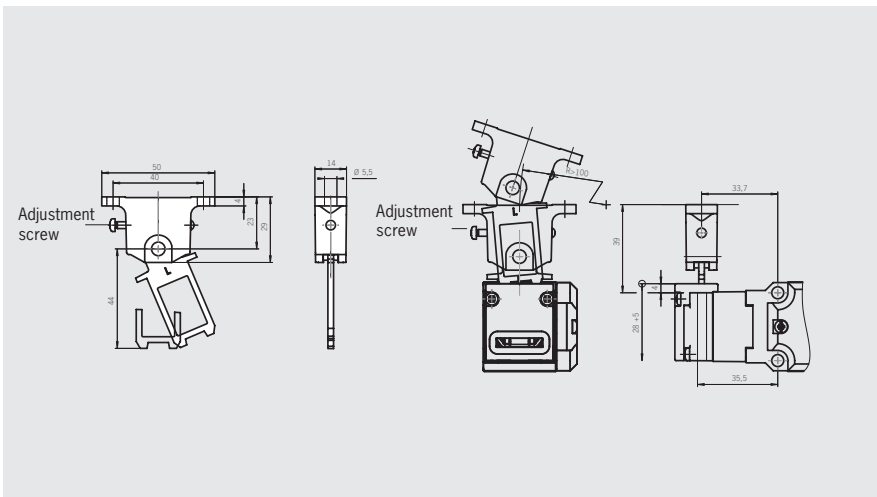
Safety guard hinged at top/bottom, overtravel 5 mm

Dimension drawings



Hinged actuator S-LR-LN for insertion funnel

Safety guard hinged on left/right, overtravel 5 mm



Ordering table

Designation	Version	Min. door radius r [mm]	Packaging unit	Order No.
Hinged actuator	S-OU-LN For top and bottom hinged doors overtravel 5 mm incl. 2 safety screws M5 x 25	200	1 ea.	096 697 HINGED ACTUATOR-S-OU-LN
	S-LR-LN For left and right hinged doors overtravel 5 mm incl. 2 safety screws M5 x 10	100	1 ea.	096 844 HINGED ACTUATOR-S-LR-LN

Insertion funnels/adapters

- ▶ **Insertion funnel**
- ▶ **Adapter NP-K**

Insertion funnel

If an insertion funnel is used, even inexactly positioned actuators are inserted reliably in the actuating head due to the large opening aperture, thus protecting the safety switch against mechanical influences.

- ▶ Cannot be used in conjunction with TP safety switches with increased overtravel from top
- ▶ The insertion funnel for TP can only be used in conjunction with an actuator with long overtravel
- ▶ The insertion funnel for STP can only be used in conjunction with an actuator for insertion funnel

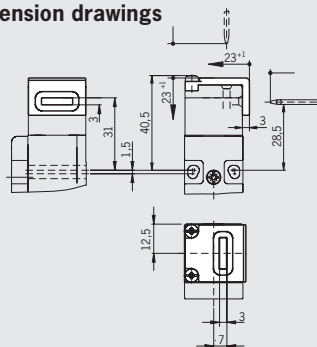
Adapter NP-K

The adapter NP-K is used for top entry overtravel applications for the NP series.

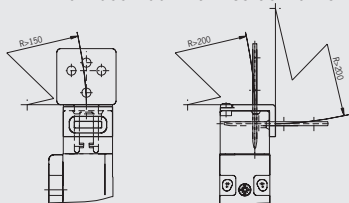
- ▶ The adapter **cannot** be used for safety switches of the GP/TP series
- ▶ 4 screws 3 x 38 (not safety screws) are supplied

Insertion funnel For safety switches NM..VZ

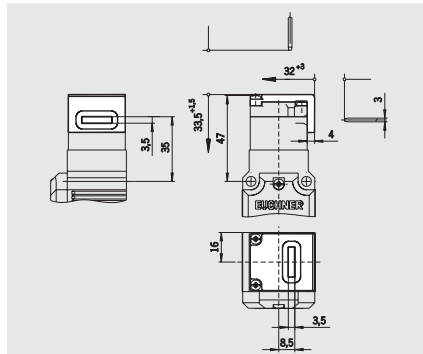
Dimension drawings



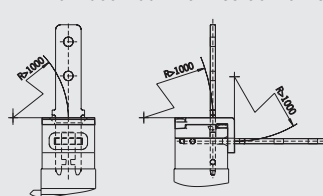
Minimum door radii with insertion funnel



Insertion funnel For safety switches NP..A/GP/TP..A

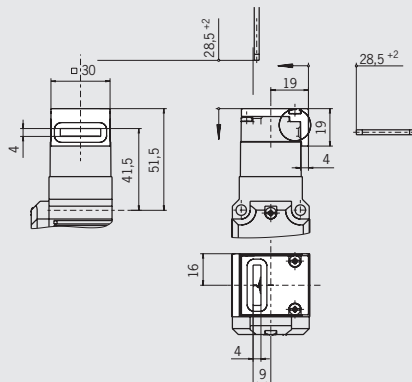


Minimum door radii with insertion funnel



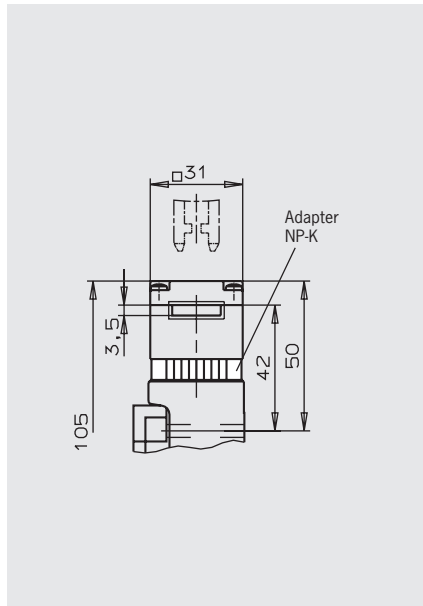
Insertion funnel For safety switches SGP/STA/STP/STM

Dimension drawings



Minimum door radius with insertion funnel R > 300 mm

Adapter NP-K For safety switches NP



Ordering table

Designation	Version	Use	Order No.
Insertion funnel	Incl. 2 fastening screws	For safety switches NM..VZ	083 565 Insertion funnel M
		For safety switches NP..A/GP/TP..A without adapter	086 237 Insertion funnel NP/GP/TP
		For safety switches SGP/STA/STP/STM	093 157 Insertion funnel STP/STM
Adapter NP-K	Incl. 4 fastening screws	For safety switches NP	074 578 Adapter NP-K