

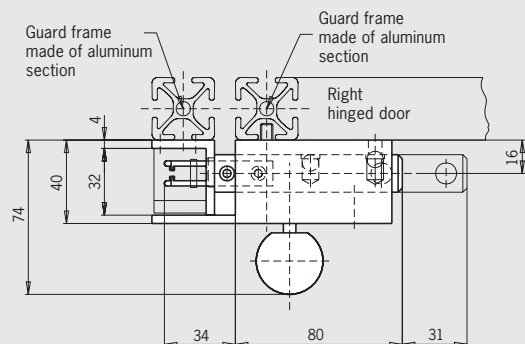
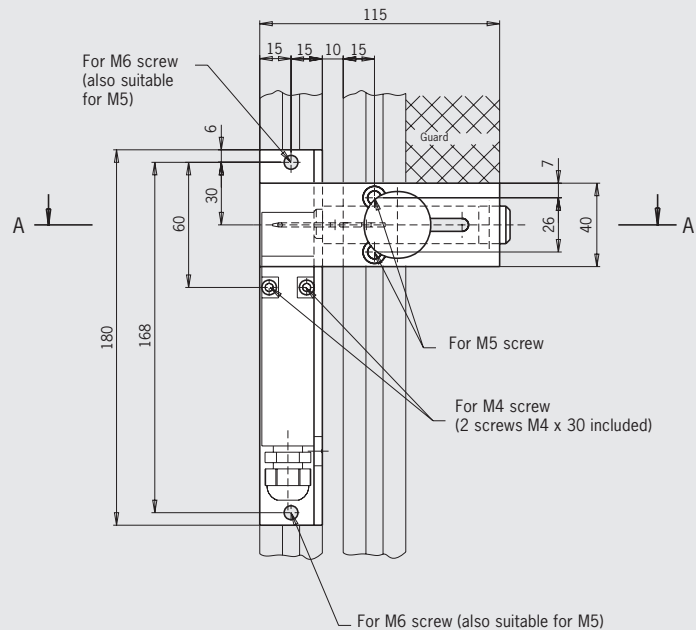
Bolts for safety guards for safety switches NM

- ▶ For left or right hinged doors

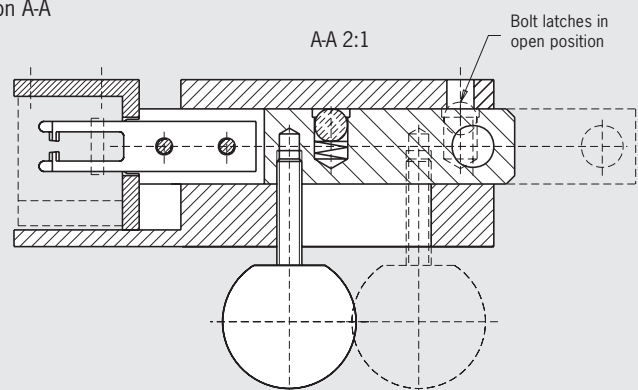


Bolt for safety switches NM..VZ

Dimension drawings



Section A-A



Features

- ▶ Easily fitted to standard aluminum profiles and machine covers by screw connection
- ▶ Distinctive yellow color for easy recognition
- ▶ Symmetrical design for doors hinged on the right or left
- ▶ No additional door handle necessary
- ▶ Bolt with detent mechanism in opened position
- ▶ Through hole on the bolt permits attachment of padlocks

Notes

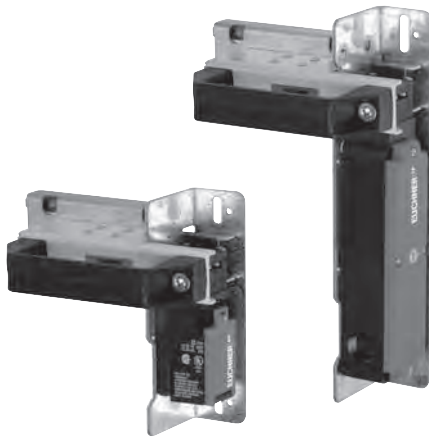
- ▶ Actuator and switch bracket included
- ▶ Please order safety switch separately

Ordering table

Designation	Detent mechanism	Version	Order No.
Bolt NM	None	For right or left hinged doors Actuator and switch bracket included	077 233 Bolt NM
Switch bracket NM		Separate	077 245 Switch bracket NM

Bolt for safety guards for safety switches NP, GP and TP

- ▶ For left or right hinged doors



Features

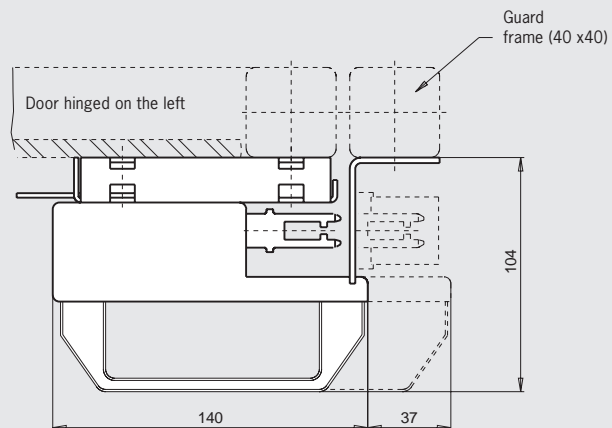
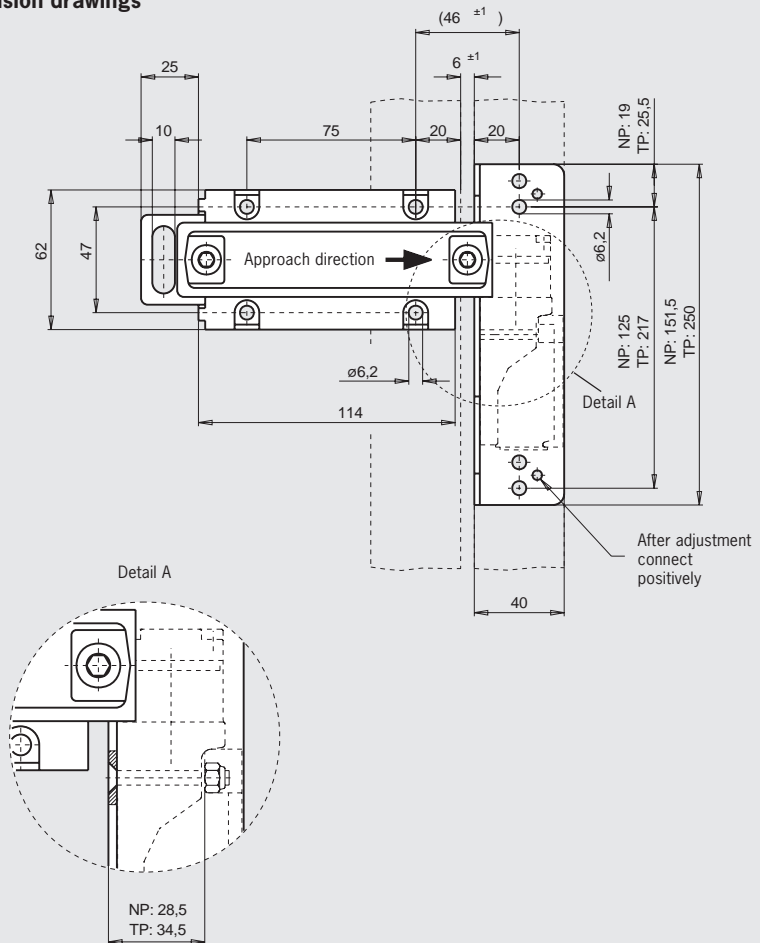
- ▶ Easily fitted to standard aluminum profiles and machine covers by screw connection
- ▶ Distinctive yellow color for easy recognition
- ▶ Symmetrical design for doors hinged on the right or left
- ▶ No additional door handle necessary
- ▶ Automatic detent mechanism when bolt is moved to the locked position (only available on **bolt 1 NP/TP** version)
- ▶ Detent mechanism prevents unintentional opening of the hinged door
- ▶ Slot on the bolt permits attachment of padlocks
- ▶ Identical bolt for safety switches series **NP...AS** and **TP...A**

Notes

- ▶ Switch bracket **NP** is suitable only for the series **NP...AS**
- ▶ Switch bracket **TP** is suitable only for the series **TP...A** and **GP**
- ▶ Actuator included
- ▶ Please order safety switch and switch bracket separately

Bolt for safety switches NP..AS/GP.../TP...A

Dimension drawings



Ordering table

Designation	Detent mechanism	Version	Order No.
Bolt 0 NP/TP	None	For right or left hinged doors (also for GP)	073 535 Bolt 0 NP/TP
Bolt 1 NP/TP	1 x detent mechanism closed	For right or left hinged doors (also for GP)	073 536 Bolt 1 NP/TP
Switch bracket NP		Separate	073 538 Switch bracket NP
Switch bracket TP		Separate (also for GP)	073 539 Switch bracket TP

Bolt for safety guards for safety switches GP and TP

- ▶ Lever for escape release from the danger area (optional)



Special features

(only for bolt TP-AF and TP-CF with escape release)

- ▶ Bolt with detent mechanism
The bolt latches in open position to prevent unintended closing
- ▶ Lever for escape release from the danger area

Features

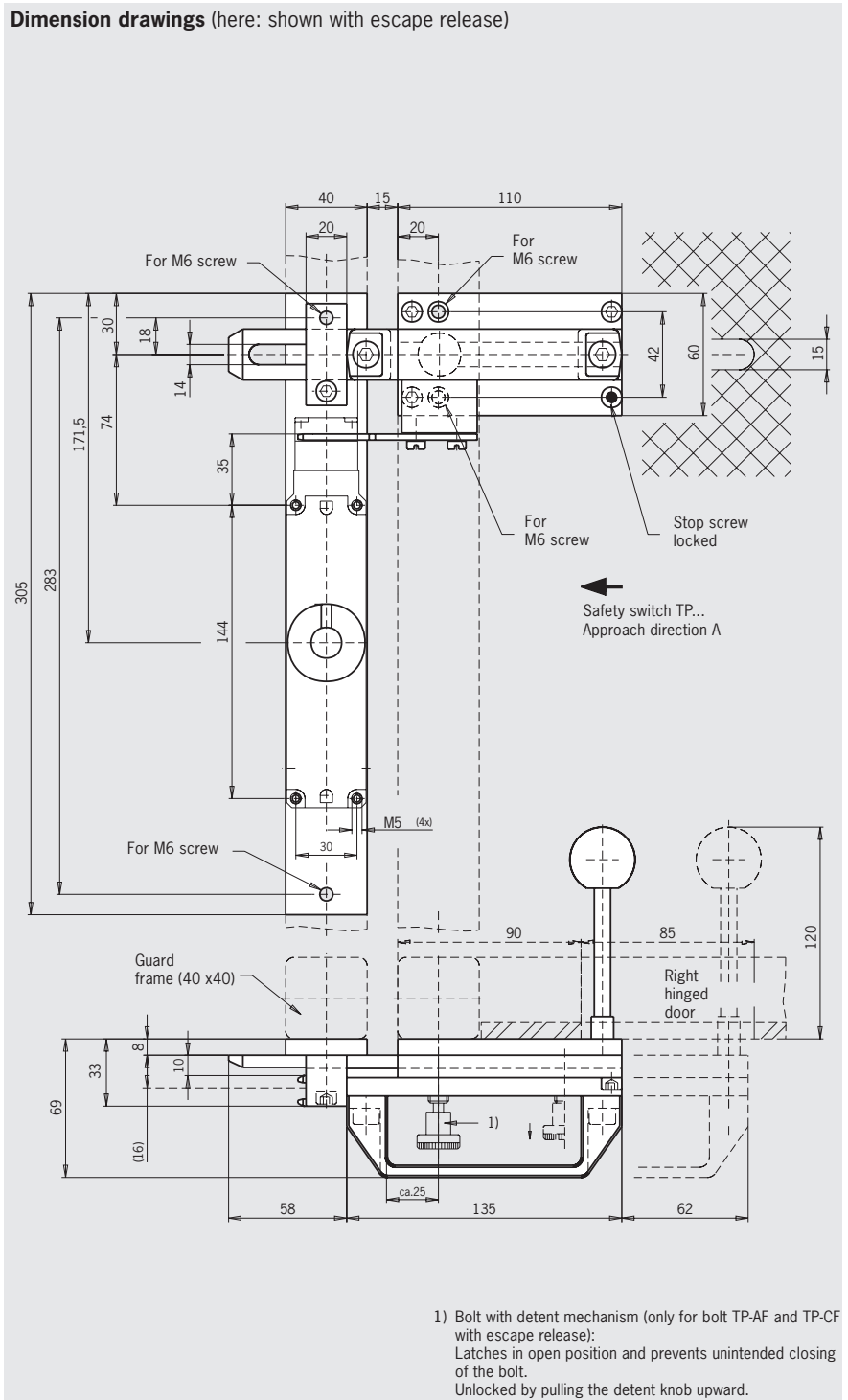
- ▶ Easily fitted to standard aluminum profiles and machine covers by screw connection
- ▶ Distinctive yellow color for easy recognition
- ▶ Robust version for heavy doors
- ▶ No additional door handle necessary
- ▶ Slot on the bolt permits attachment of padlocks

Notes

- ▶ The bolts are suitable only for the series **TP...A** and **GP**
- ▶ Actuator included
- ▶ Please order safety switch separately

Bolt for safety switches GP.../TP...A/TP..A.-C1743/TP...A.-C1993

Dimension drawings (here: shown with escape release)



Ordering table

Designation	Detent mechanism	Version	Order No.
Bolt TP-AF	Detent knob	For right hinged doors with escape release	086 186 Bolt TP-AF
Bolt TP-CF	Detent knob	For left hinged doors with escape release	086 188 Bolt TP-CF
Bolt TP-A	None	For right hinged doors without escape release (also for GP)	084 430 Bolt TP-A
Bolt TP-C	None	For left hinged doors without escape release (also for GP)	084 432 Bolt TP-C

Bolts for safety guards for safety switches STP/STA/SGP

- ▶ Lever for escape release from the danger area (optional)



Special features

(only for bolt STP-AF and STP-CF with escape release)

- ▶ Bolt with detent mechanism
The bolt latches in open position to prevent unintended closing
- ▶ Lever for escape release from the danger area (optional)

Features

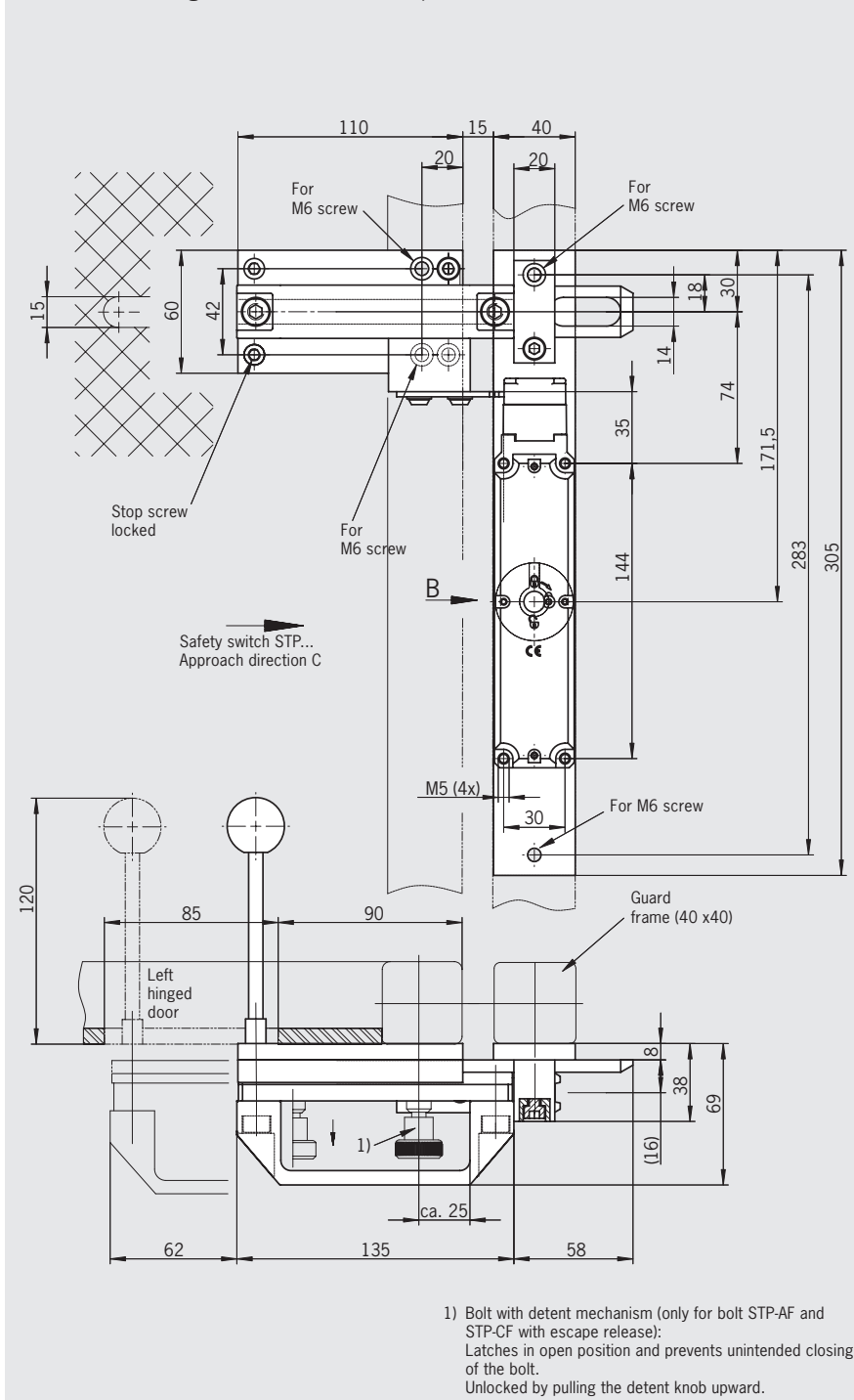
- ▶ Easily fitted to standard aluminum profiles and machine covers by screw connection
- ▶ Distinctive yellow color for easy recognition
- ▶ Robust version for heavy doors
- ▶ No additional door handle necessary
- ▶ Slot on the bolt permits attachment of padlocks

Notes

- ▶ The bolts are only suitable for series **STP.../STA.../SGP...**
- ▶ Actuator included
- ▶ Please order safety switch separately

Bolts for safety switches series STP.../STA.../SGP...

Dimension drawings (here: shown with escape release)



Ordering table

Designation	Detent mechanism	Version	Order No.
Bolt S-AF	Detent knob	For right hinged doors with escape release	096 390 Bolt S-AF
Bolt S-CF	Detent knob	For left hinged doors with escape release	096 391 Bolt S-CF
Bolt S-A	None	For right hinged doors without escape release	096 384 Bolt S-A
Bolt S-C	None	For left hinged doors without escape release	096 385 Bolt S-C

Bolt for safety guards for safety switches GP, SGP, TP, STA and STP

- ▶ Material: reinforced plastic
- ▶ Lever for escape release from the danger area
- ▶ For left or right hinged doors



Special features

- ▶ Bolt with detent mechanism (only for bolts with escape release)
The bolt latches in open position to prevent unintended closing

Features

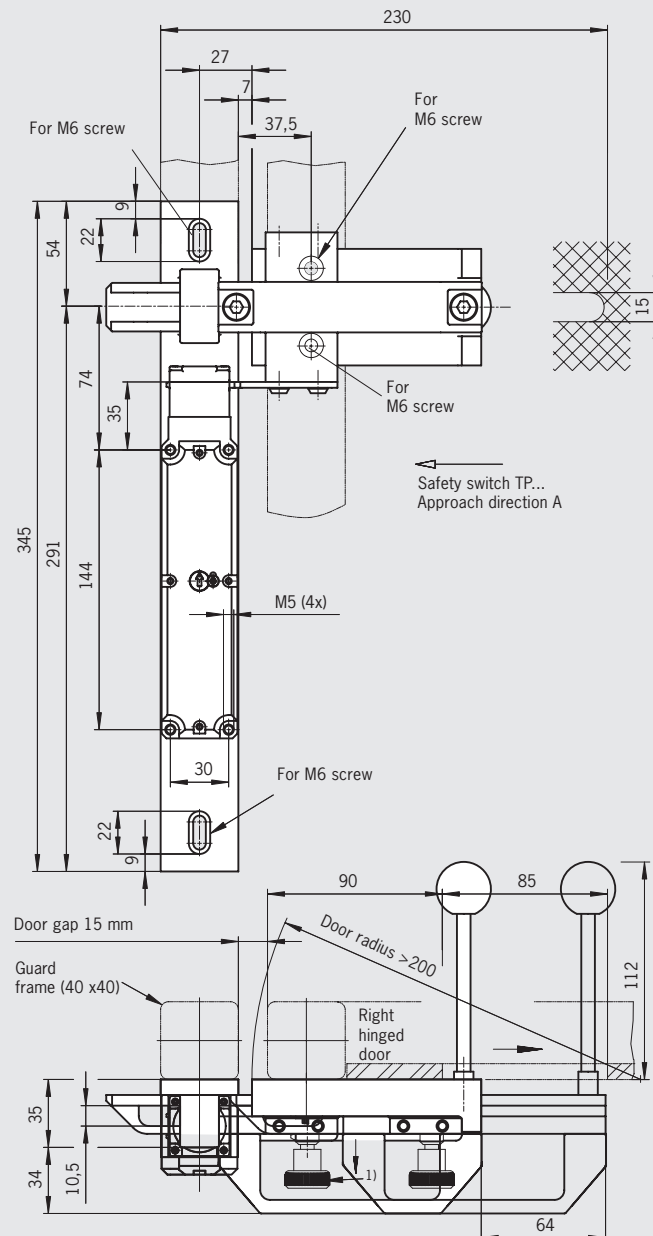
- ▶ Easily fitted to standard aluminum profiles and machine covers by screw connection
- ▶ Distinctive yellow color for easy recognition
- ▶ Robust version for heavy doors
- ▶ No additional door handle necessary
- ▶ Slot on the bolt permits attachment of padlocks

Notes

- ▶ Functions only in conjunction with switch bracket TP-GFK
- ▶ Actuator included
- ▶ Please order safety switch separately
- ▶ Order switch bracket separately

Bolt for safety switches GP.../TP...A/TP..A.-C1743/TP...A.-C1993

Dimension drawings (here: shown with escape release)



1) Bolt with detent mechanism (only for bolts with escape release):
Latches in open position and prevents unintended closing of the bolt.
Unlocked by pulling the detent knob upward.

Ordering table

Designation	Detent mechanism	Version	Order No.
Bolt TP-GFK-F	Detent knob	For right or left hinged doors with escape release (also for GP)	097 602 Bolt TP-GFK-F
Bolt TP-GFK	without	For right or left hinged doors without escape release (also for GP)	096 616 Bolt TP-GFK
Bolt STP-GFK	without	For right or left hinged doors without escape release (also for SGP/STA)	098 121 Bolt STP-GFK
Switch bracket TP-GFK		Separate (also for GP/SGP/STP/STA)	096 613 Switch bracket TP-GFK