

Accessories

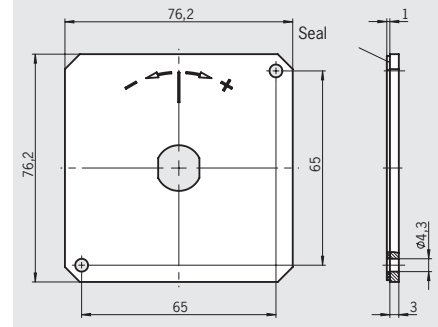
Front panel for handwheel HKB

- ▶ Front panel with bonded seal

Ordering table

Item	Order no.
Front panel for handwheel HKB with dial 100914, anodized silver	105072
Front panel for handwheel HKB with dial 100914, anodized black	105073

Dimension drawing



Front panel for handwheel HKD

- ▶ Front panel with bonded seal
- ▶ Seal handwheels without front panel with sealing ring E

Dimensions

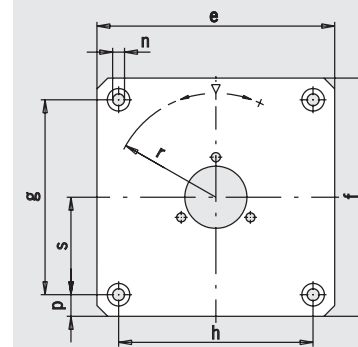
Design	e	f	g	h	k	m	n	p	s	r
F	110	110	90	90	-	-	DIN74-Am5	-	-	R48
G	108	108	89	89	-	-	5.2	-	-	R48
M	76.2	76.2	-	-	65	65	4.2	-	-	R35.5

Ordering table

Item	Order no.
Sealing ring E	054861
Front panel F with seal	028760
Front panel G with seal	028761
Front panel M with seal	041758

Dimension drawing

Front panel F, G, M



Dials for handwheel HKB

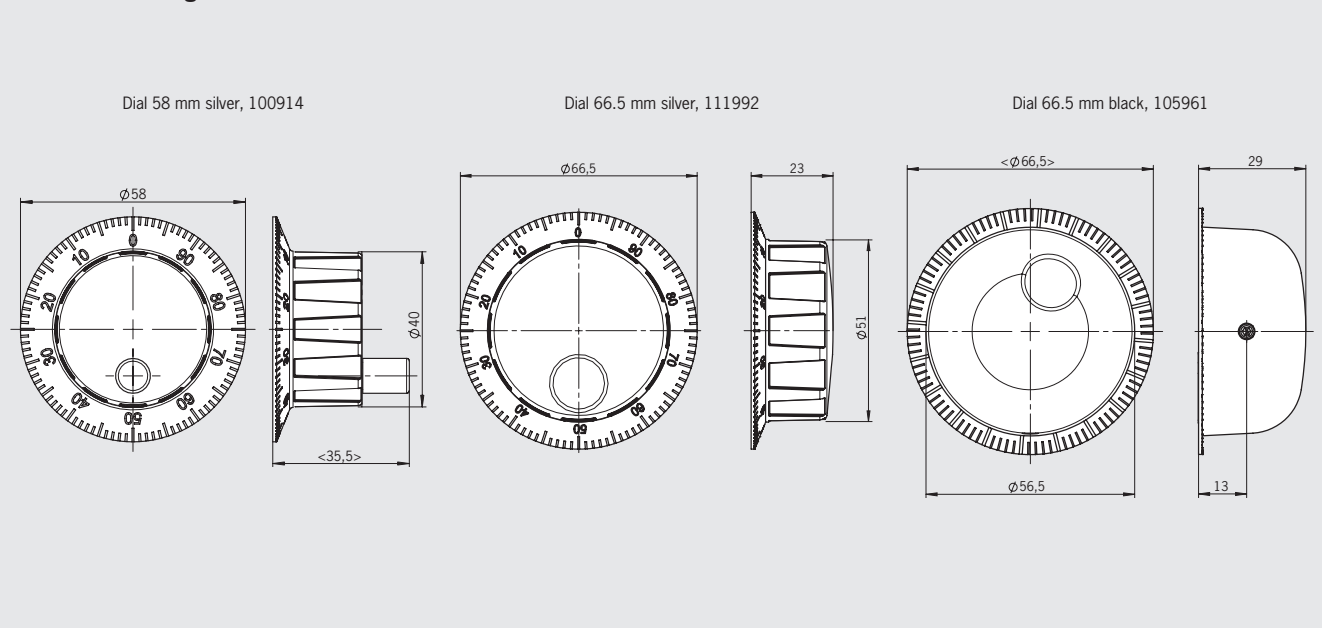
Ordering table

Item	Order no.
Dial 58 mm silver, metal with crank ¹⁾	100914
Dial 66.5 mm silver, metal with finger recess ^{1) 2)}	111992
Dial 66.5 mm black, plastic with finger recess ²⁾	105961

1) Suitable for installation in operator panels

2) For use of handwheel HKB in the kits for hand-held pendant stations HBA and HBM

Dimension drawing



Dials for handwheel HKD

Dimensions

Design	∅ a	∅ b	c
Dial 90 mm	90	63	41
Dial 78 mm	78	63	39
Dial 75 mm	75	63	39
Dial 65 mm	65	44	42
Dial 58 mm	58	44	40

Ordering table

Item	Order no.
Dial 90 mm black	057266
Dial 90 mm silver	057268
Dial 78 mm black	057280
Dial 78 mm silver	057272
Dial 75 mm black	072633
Dial 75 mm silver	072597
Dial 65 mm black, for HBL kit	057318
Dial 65 mm silver, for HBL kit	057314
Dial 58 mm black	059276

Dimension drawing

