

8 Changing actuating direction (here: from right to left)

Important:

It is only possible to make this change when the bolt tongue is not extended and an escape release is not yet mounted.

As supplied, the handle module is set either for doors hinged on the right or for doors hinged on the left.

Based on the example of a handle module for doors hinged on the right this means:

- The safety guard opens by pressing down the door handle.
- The system is mounted the other way up, as it were, for doors hinged on the left. In other words, the safety guard opens by pressing up the door handle (see Figure 9). For this reason the actuating direction of the door handle must be changed (see Figures 9 - 14).

(similarly on handle modules for doors hinged on the left)

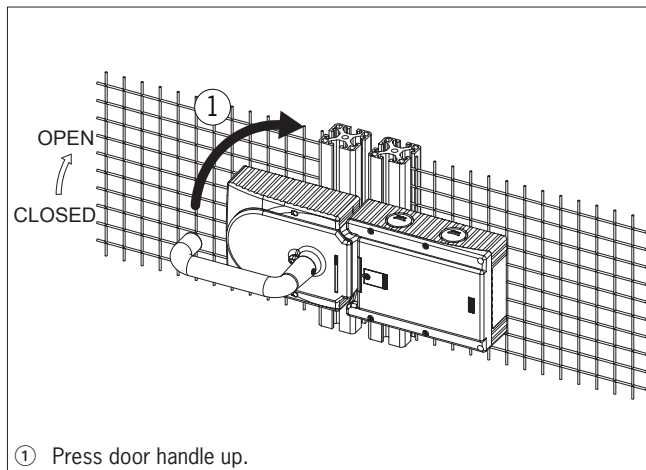


Figure 9: Changing actuating direction, step ①

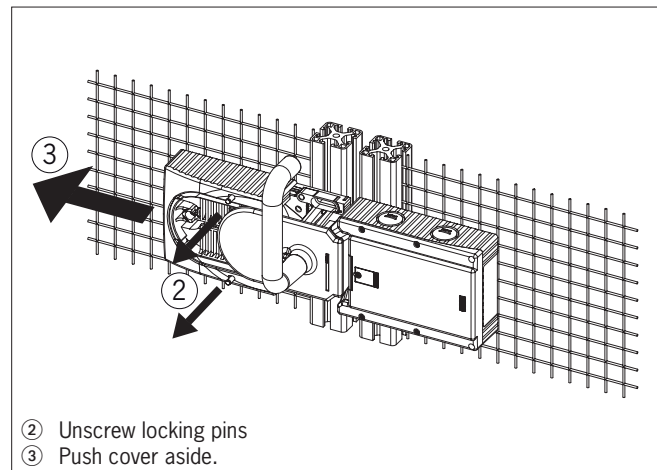


Figure 10: Changing actuating direction, steps ② and ③

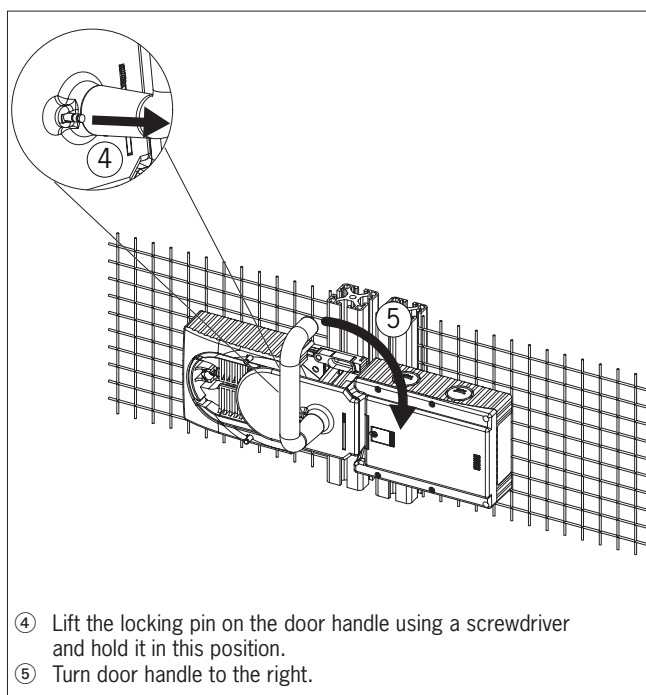


Figure 11: Changing actuating direction, steps ④ and ⑤

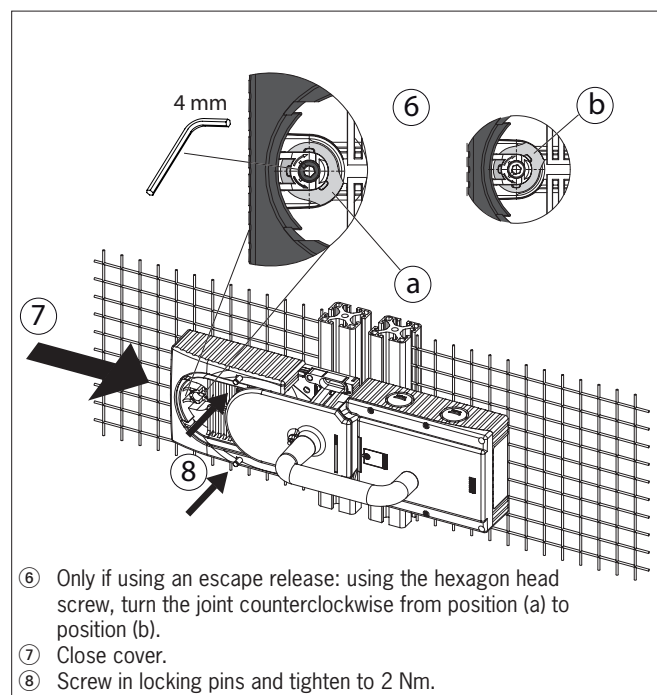


Figure 12: Changing actuating direction, steps ⑥ to ⑧

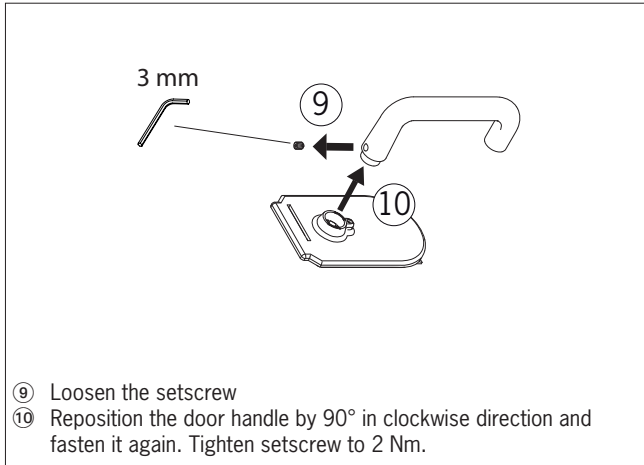


Figure 13: Changing actuating direction, step ⑨ and ⑩

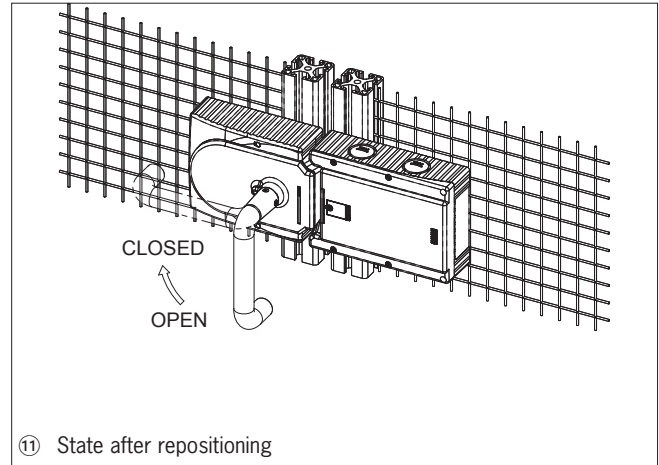


Figure 14: Changing actuating direction, final state

9 Protection against environmental effects

Lasting and correct safety function requires that the system must be protected against foreign bodies such as swarf, sand, blasting shot, etc., which can become lodged in the locking and handle modules. For this purpose a suitable installation position should be selected.

Cover device during painting work!