

Precision single hole fixing limit switches

- ▶ With slow-action switching element
- ▶ Plunger and housing made of high-quality stainless steel
- ▶ Any installation position
- ▶ Threaded section M12 x 1

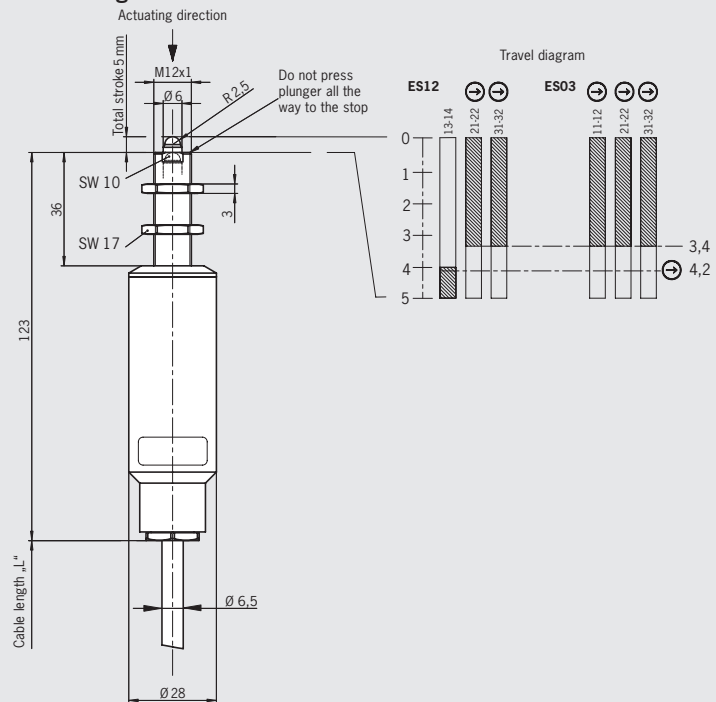
Switching element,
with 3 switching contacts



Design EGZ12, M12 x 1, dome plunger
Connection cable with PE connection



Dimension drawings



⚠ Single hole fixing limit switches must not be used as an end stop.

Wiring diagrams



Technical data

Housing material	Stainless steel	
Plunger material	Stainless steel 60 HRC hardened and polish-ground	
Degree of protection according to IEC 60529	IP 67	
Ambient temperature	[°C]	-20 ¹⁾ ...+80
Approach speed, max.	[m/min]	8
Mechanical life		3 x 10 ⁶ operating cycles
Actuating force at 20 °C	[N]	< 16
Switching element	Slow-action switching contact	
Switching contact	See travel diagram	
Contact material	Silver alloy, gold flashed	
Rated insulation voltage U _i	[V]	250
Rated impulse withstand voltage U _{imp}	[kV]	2.5
Utilization category according to EN 60947-1-5	AC-15 U _e 230 V I _e 4 A DC-13 U _e 24 V I _e 4 A	
Switching current, min., at 24 V	[mA]	1
Switching voltage, min., at 10 mA	[V DC]	12
Short circuit protection (control circuit fuse)	[A gG]	4
Connection type	PUR cable 7 x 0.5 mm ²	

1) Cable hard wired.

Ordering table

Connection cable	ES12	ES03
Connection cable 5 m	094 823 ²⁾ EGZ12-12-5000	On request

2) UL approval pending

