

G-trip rails with 12 mm or 16 mm spacing

G-trip rails GF... according to DIN 69638 form C, fully assembled, galvanized steel

G-trip rail GFE.../GFR... according to DIN 69638 form C, kit for self-assembly, galvanized steel

Number of slots	Slot spacing C [mm]			
	12 mm		16 mm	
	a	b	a	b
1	18	0	26	0
2	30	12	42	16
3	42	24	58	32
4	54	36	74	48
5	66	48	90	64
6	78	60	106	80
8	102	84	138	112
10	126	108	170	144
12	150	132	202	176
14	174	156	234	208
16	198	180	266	240
18	222	204	298	272
20	246	228	330	304

Length max. 2000 mm

End piece pairs GFE...

Guide tubes GFR...

a	Slot spacing [mm]	
	12 mm	16 mm
6	6	10

Preferable lengths 1000, 1500 and 2000 mm

For assembly instructions see page 43

G-trip rail, fully assembled

Ordering code **G-trip rail GF...** G F -

Series _____

Number of slots (see table) _____

Slot spacing (12 or 16 mm) _____

Length l * [mm] (note maximum length) _____

Kit for self-assembly

Ordering code **Guide tubes GFR...** G F R -

End piece pairs GFE... G F E -

Series _____

Number of slots (see table) _____

Slot spacing (12 or 16 mm) _____

Length l * [mm] (note preferable length) _____

* For lengths over 600 mm, support brackets are required (see page 42)

Accessories

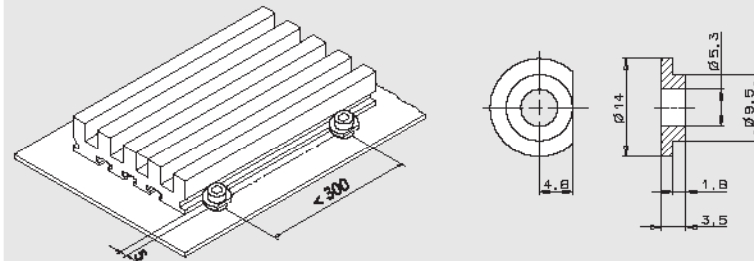
- ▶ Clamping piece
- ▶ Support brackets

Clamping piece

The trip rails ULA and UFA made of aluminum are preferably fastened to the body of the machine using special clamping pieces.

Clamping piece for trip rails ULA/UFA

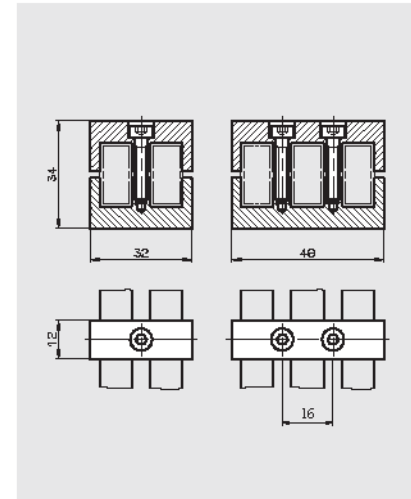
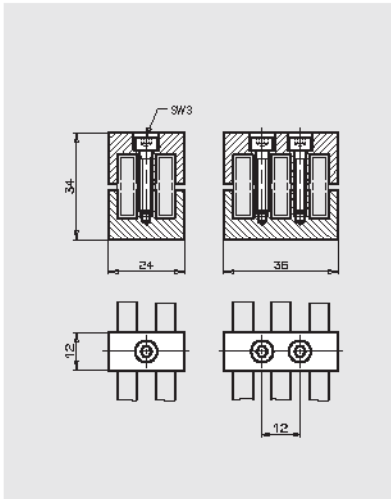
Dimension drawing



Support brackets, can be placed in a row
For the G-trip rails GFE/GFR kit, support brackets must be used from a length of 600 mm.

Support brackets slot spacing 12 mm for G-trip rail GFE/GFR

Support brackets slot spacing 16 mm for G-trip rail GFE/GFR



Ordering table

Designation	Use	Slot spacing [mm]	Number of guide tubes	Order No. / Item
Clamping piece	For trip rails ULA/UFA	-		025 519 Clamping piece
Support brackets	For G-trip rails GFE/GFR	12 mm	2	027 459 ZW02-12
			3	027 460 ZW03-12
		16 mm	2	027 461 ZW02-16
			3	027 462 ZW03-16

Installation notes

Trip rail system-G kit for self-assembly

A kit comprises two end pieces, the pressure segments and the related number of guide tubes.

All parts are protected against corrosion by a special surface treatment.

The kit enables the user to assemble trip rails of the required length (from 600 mm special support brackets are required) of up to 2000 mm. For this purpose the guide tubes are cut to the required length and bolted together to form a trip rail with the aid of the end pieces (see example).

