

Plug connectors RC18

- ▶ 90° angled optional
- ▶ Cable optional
- ▶ Halogen-free cable optional

Crimp contacts

With 19 crimp pins for wire cross-section 0.75 - 1.00 mm².

Plug connector angled (optional)

On plug connectors with cables the direction of the cable exit can be chosen on left/right. On plug connectors without cables the direction can be adjusted.

Cable (optional)

Cable sleeve PUR, color black, wire cross-section 0.5 mm² or 1.0 mm².

Cable halogen-free (optional)

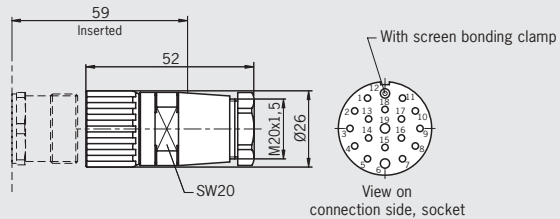
Cable sleeve PUR, color black, halogen-free, silicone-free. Reduction of toxic gases and smoke in case of fire.

Wire cross-section 0.5 mm² or 1.0 mm².

Female plug RC18..C1825

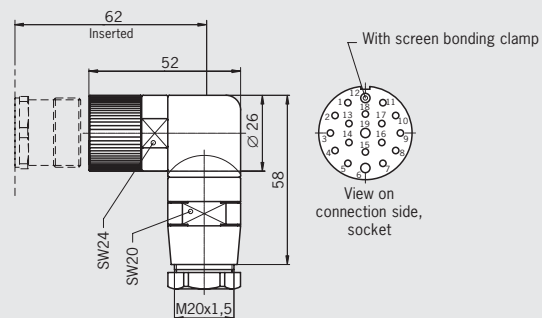
18-pin + PE

Maßzeichnungen



Female plug RC18..C1825

angled 18-pin + PE



Ordering table

Designation	Version	Without cable
RC18 ²⁾ 18-pin + PE	EF-C1825 Female plug	077 025 RC18EF-C1825
	WF-C1825 Female plug angled	077 026 RC18WF-C1825
	Replacement socket crimp contacts Wire cross-section 16 x 0.38 - 0.5 mm ² 3 x 0.75 - 1 mm ²	094 310 Pin crimp contact RCM-C1825

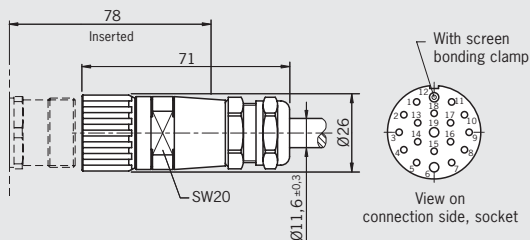
For information on crimp contacts see page 98.

2) Crimp contacts are included.

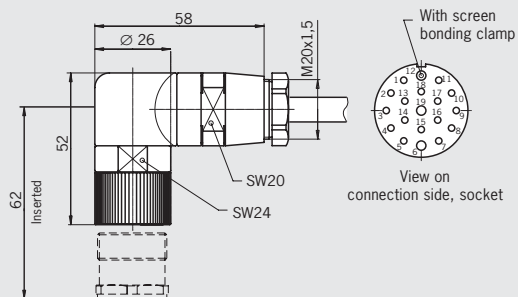
For safety precautions see page 136
For technical data see page 99

Female plug RC18 / RC18..C1825 with cable 18-pin + PE

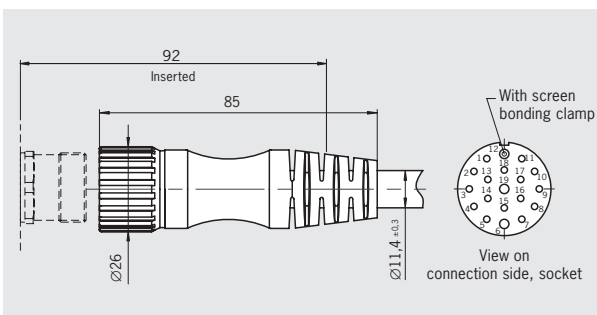
Dimension drawings



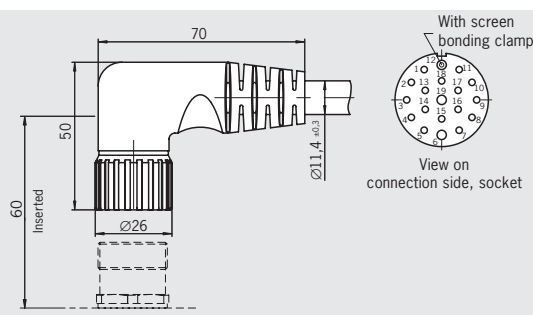
Female plug RC18 / RC18..C1825 angled with cable 18-pin + PE



Female plug RC18 / RC18..C1825 with cable halogen-free 18-pin + PE



Female plug RC18 / RC18..C1825 angled with cable halogen-free 18-pin + PE



Pin assignment plug RC18 with cable and option C1825

Pin	Wire color	Wire cross-section [mm]
1	VT	0.5
2	RD	0.5
3	GY	0.5
4	RD/BU	0.5
5	GN	0.5
6	BU	1.0
7	GY/PK	0.5
8	GN/WH	0.5
9	YE/WH	0.5

10	GY/WH	0.5
11	BK	0.5
12	GN/YE	1.0
13	PK	0.5
14	BN/GY	0.5
15	BN/YE	0.5
16	BN/GN	0.5
17	WH	0.5
18	YE	0.5
19	BN	1.0

Ordering table

Desig.	Version	Cable								
		1.5 m	3 m	6 m	8 m	10 m	15 m	20 m	25 m	30 m
RC18 + PE with cable	EF-C1825 Female plug	092 761 RC18EF1,5MC1825	092 816 RC18EF3MC1825	077 014 RC18EF6MC1825	077 015 RC18EF8MC1825	092 898 RC18EF10MC1825	077 016 RC18EF15MC1825	092 726 RC18EF20MC1825	092 727 RC18EF25MC1825	095 993 RC18EF30MC1825
	WFL-C1825 Female plug angled left	092 906 RC18WF1,5ML-C1825	092 908 RC18WF3ML-C1825	077 018 RC18WF6ML-C1825	077 019 RC18WF8ML-C1825	092 901 RC18WF10ML-C1825	077 020 RC18WF15ML-C1825	092 910 RC18WF20ML-C1825	092 912 RC18WF25ML-C1825	-
	WFR-C1825 Female plug angled cable exit right	092 907 RC18WF1,5MRC1825	092 909 RC18WF3MRC1825	085 194 RC18WF6MRC1825	085 195 RC18WF8MRC1825	092 902 RC18WF10MRC1825	085 196 RC18WF15MRC1825	092 911 RC18WF20MRC1825	092 913 RC18WF25MRC1825	-
RC18 18-pin + PE with cable halogen- free	EFF-C1825 Female plug	092 883 RC18EF1,5MF-C1825	092 884 RC18EF3MF-C1825	092 885 RC18EF6MF-C1825	092 886 RC18EF8MF-C1825	092 887 RC18EF10MF-C1825	092 888 RC18EF15MF-C1825	092 889 RC18EF20MF-C1825	092 890 RC18EF25MF-C1825	-
	WFLF-C1825 Female plug angled cable exit left	092 891 RC18WF1,5MLF-C1825	092 893 RC18WF3MLF-C1825	092 697 RC18WF2MLF-C1825	092 895 RC18WF8MLF-C1825	092 699 RC18WF10MLF-C1825	092 701 RC18WF15MLF-C1825	092 704 RC18WF20MLF-C1825	092 724 RC18WF25MLF-C1825	-
	WFRF-C1825 Female plug angled cable exit right	092 892 RC18WF1,5MRF-C1825	092 894 RC18WF3MRF-C1825	092 698 RC18WF6MRF-C1825	092 896 RC18WF8MRF-C1825	092 700 RC18WF10MRF-C1825	092 702 RC18WF15MRF-C1825	092 708 RC18WF20MRF-C1825	092 725 RC18WF25MRF-C1825	-