

Actuators for safety switches NZ.VZ, NZ.VZ.VS and TZ

- ▶ Two stainless safety screws per actuator
- ▶ Increased overtravel optional
- ▶ Packaging unit 25 pieces optional

Straight actuator

The straight actuator is used on sliding doors or hinged doors with door radii greater than 1000 mm. Safety screws prevent unscrewing of the actuator. The safety screws included can be inserted with a normal tool, but cannot be removed again.

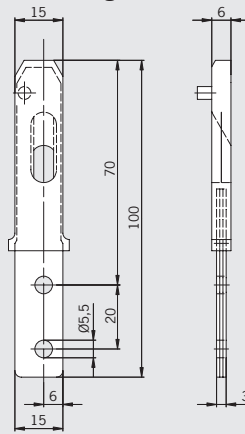
Actuator with overtravel

- ▶ **4 mm** for doors with normal play
- ▶ **16 mm** for doors with large play (optional)

Actuator Z-G straight

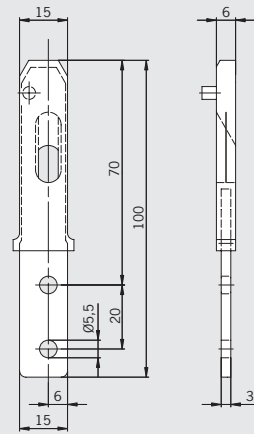
Overtravel 4 mm

Dimension drawings



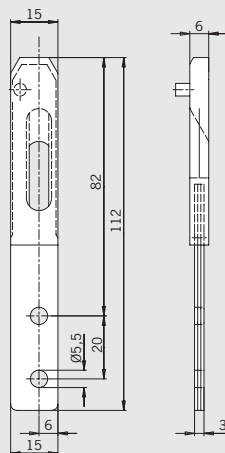
Actuator Z-GME straight

Overtravel 4 mm, solid stainless steel



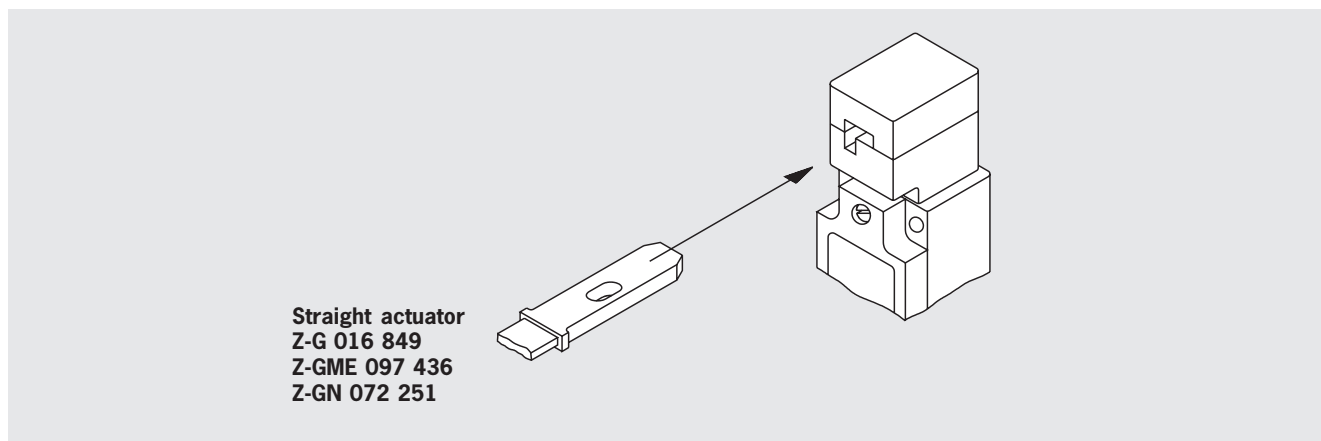
Actuator Z-GN straight

Overtravel 16 mm



Selection table for actuators

Actuator					
Actuator straight Z-G 016 849 overtravel 4 mm					
		TZ-LE	NZ	TZ-RE	
Actuator straight Z-GME 097 436 overtravel 4 mm					
		TZ-LE	NZ	TZ-RE	
Actuator straight Z-GN 072 251 overtravel 16 mm					
		TZ-LE	NZ	TZ-RE	



Ordering table

Designation	Version	Min. door radius r [mm]	Packaging unit	Order No.
Actuator straight	Z-G 4 mm overtravel incl. 2 safety screws M5 x 10	≥ 1000	1 ea.	016 849 ACTUATOR-Z-G
	Z-GME 4 mm overtravel, made of solid stainless steel incl. 2 safety screws M5x10	≥ 1000	25 ea.	074 411 ACTUATOR-Z-G/V25
	Z-GN 16 mm overtravel incl. 2 safety screws M5x10	≥ 1000	1 ea.	097 436 ACTUATOR-Z-GME
			1 ea.	072 251 ACTUATOR-Z-GN

For safety precautions see page 179
For technical data see page 151

Actuators for safety switches NZ.VZ, NZ.VZ.VS and TZ

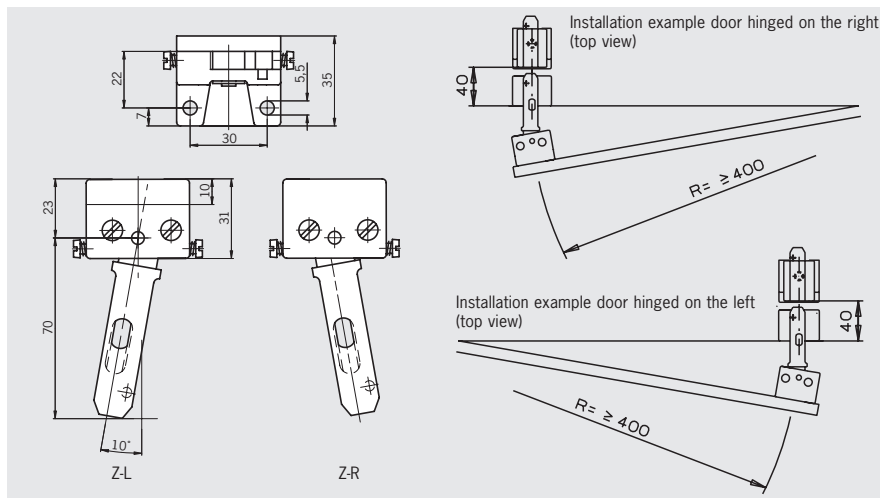
- ▶ Two stainless safety screws per actuator
- ▶ Smaller door radii optional
- ▶ Packaging unit 25 pieces optional

Hinged actuator

For door radii less than 1000 mm a hinged actuator should be used. The spring action movement of the actuator prevents damage due to the actuator jamming in the actuating head. Depending on the movement of the safety guard, the actuator must be selected for left/right or top/bottom.

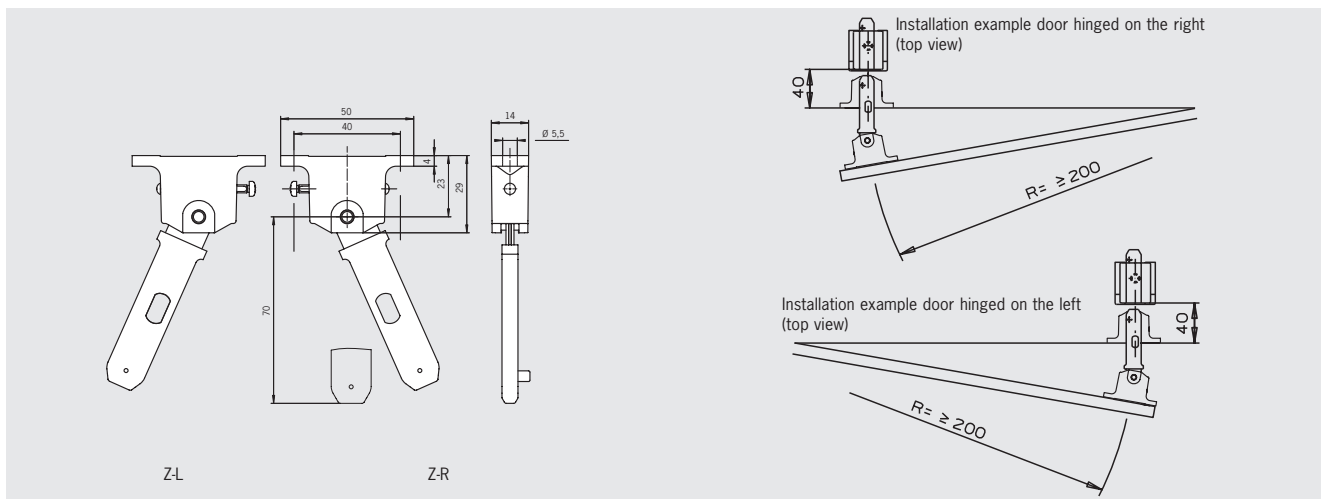
Hinged actuator Z-R/Z-L

Hinged ≥ 400 mm, safety guard hinged on the right/left



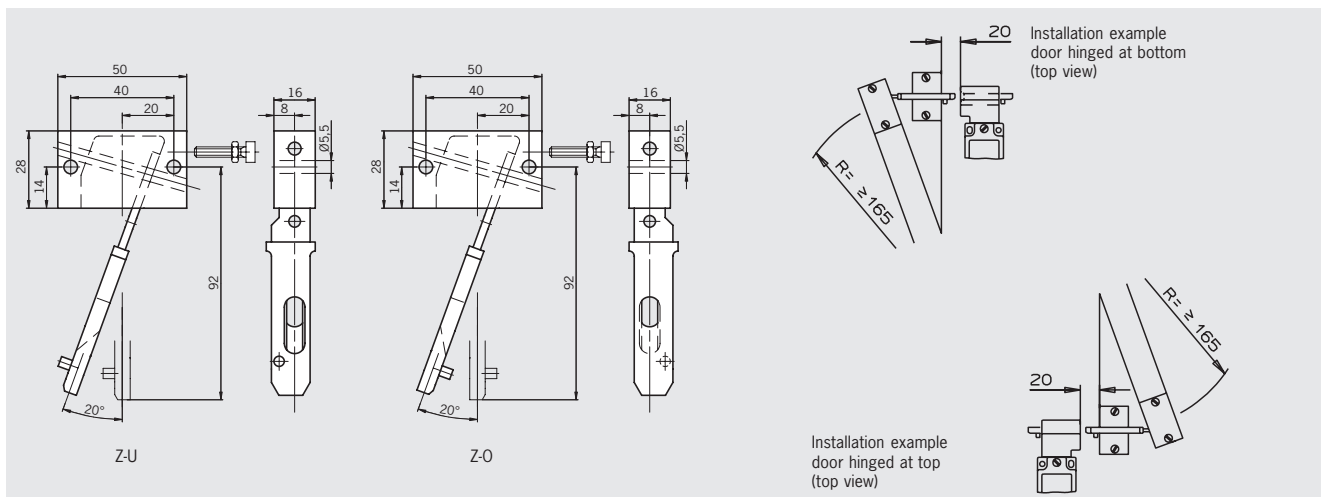
Hinged actuator Z-R-C2194/Z-L-C2194

Hinged ≥ 200 mm, safety guard hinged on the right/left



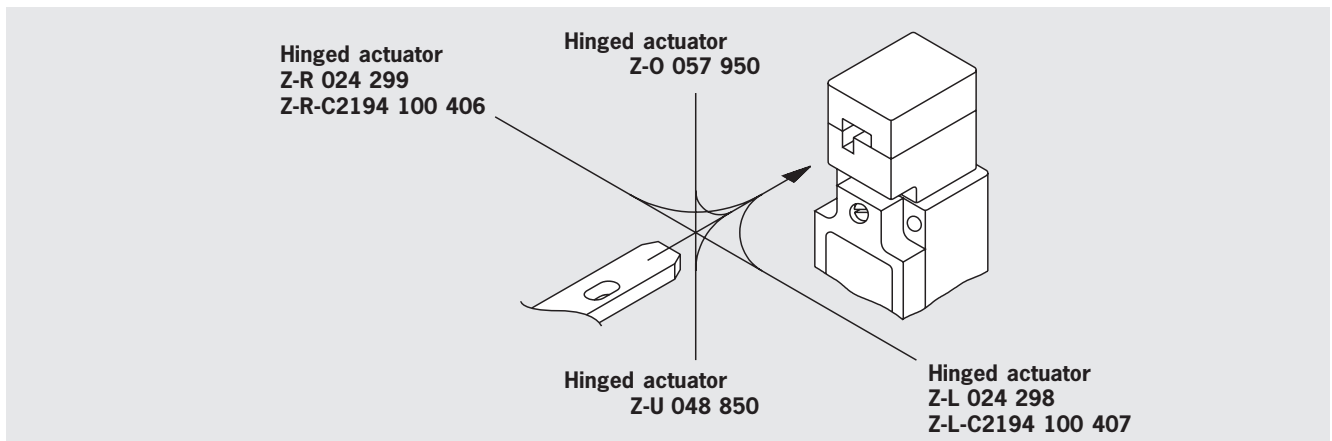
Hinged actuator Z-U/Z-O

Hinged ≥ 165 mm, safety guard hinged at bottom/top



Selection table for actuators

Actuator					
Hinged actuator Z-L 024 298 Z-L-C2194 100 407					
Hinged actuator Z-R 024 299 Z-R-C2194 100 406					
Hinged actuator Z-U 048 850					
Hinged actuator Z-O 057 950					



Ordering table

Designation	Version	Min. door radius r [mm]	Packaging unit	Order No.
Hinged actuator	Z-R Safety guard hinged on the left incl. 2 safety screws M5 x 16	≥ 400	1 ea.	024 299 HINGED ACTUATOR-Z-R
			25 ea.	074 412 HINGED ACTUATOR-Z-R/V25
	Z-L Safety guard hinged on the right incl. 2 safety screws M5 x 16	≥ 400	1 ea.	024 298 HINGED ACTUATOR-Z-L
			25 ea.	074 413 HINGED ACTUATOR-Z-L/V25
	Z-R-C2194 Safety guard hinged on the left incl. 2 safety screws M5 x 10	≥ 200	1 ea.	100 406 HINGED ACTUATOR-Z-R-C2194
			1 ea.	100 407 HINGED ACTUATOR-Z-L-C2194
	Z-L-C2194 Safety guard hinged on the right incl. 2 safety screws M5 x 10	≥ 200	1 ea.	100 407 HINGED ACTUATOR-Z-L-C2194
			1 ea.	100 407 HINGED ACTUATOR-Z-L-C2194
	Z-U Safety guard hinged at bottom incl. 2 safety screws M5 x 25	≥ 165	1 ea.	048 850 HINGED ACTUATOR-Z-U
			25 ea.	074 414 HINGED ACTUATOR-Z-U/V25
	Z-O Safety guard hinged at top incl. 2 safety screws M5 x 25	≥ 165	1 ea.	057 950 HINGED ACTUATOR-Z-O
			25 ea.	074 415 HINGED ACTUATOR-Z-O/V25

For safety precautions see page 179
 For technical data see page 151

Actuators for safety switches NX/TX

- ▶ Actuators made of stainless steel
- ▶ Two stainless safety screws per actuator
- ▶ With rubber bush

Straight actuator

The straight actuator is used on sliding doors or hinged doors with door radii greater than 300 mm. Safety screws prevent unscrewing of the actuator.

Actuator with overtravel

- ▶ **2 mm** for doors with normal play
- ▶ **7 mm** for doors with large play (optional)

Actuators with rubber bushings

For flexible mounting of the actuator.

Hinged actuator

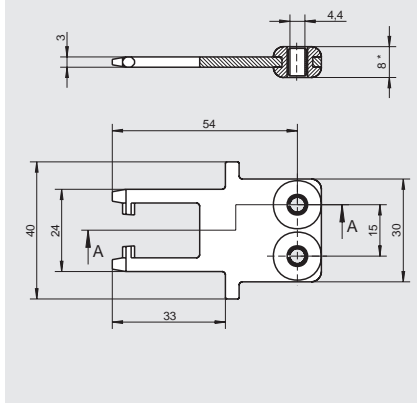
For door radii less than 300 mm a hinged actuator should be used. The spring action movement of the actuator prevents damage due to the actuator jamming in the actuating head. Depending on the movement of the safety guard, the actuator must be selected for left/right or top/bottom.

Screws made of stainless steel

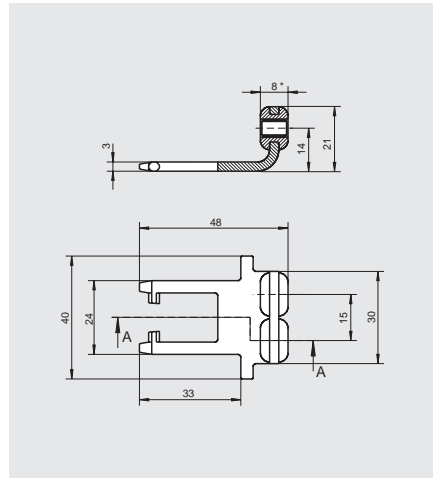
The safety screws included can be inserted with a normal tool, but cannot be removed again.

Actuator X-GQ straight
Rubber bush, overtravel 2 mm

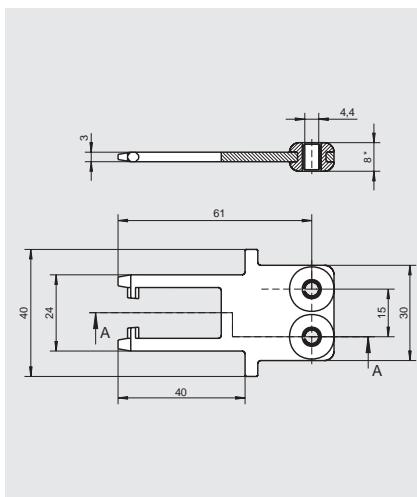
Dimension drawings



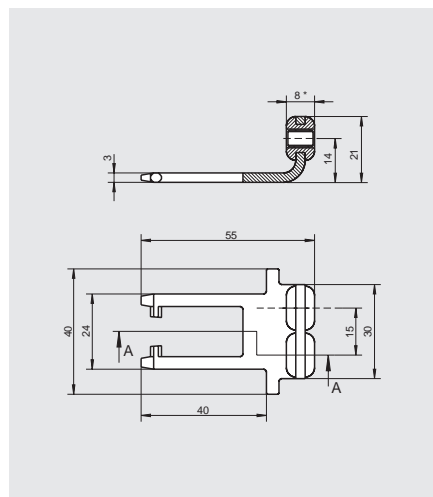
Actuator X-WQ bent
Rubber bush, overtravel 2 mm



Actuator X-GNQ straight
Rubber bush, overtravel 7 mm



Actuator X-WNQ bent
Rubber bush, overtravel 7 mm



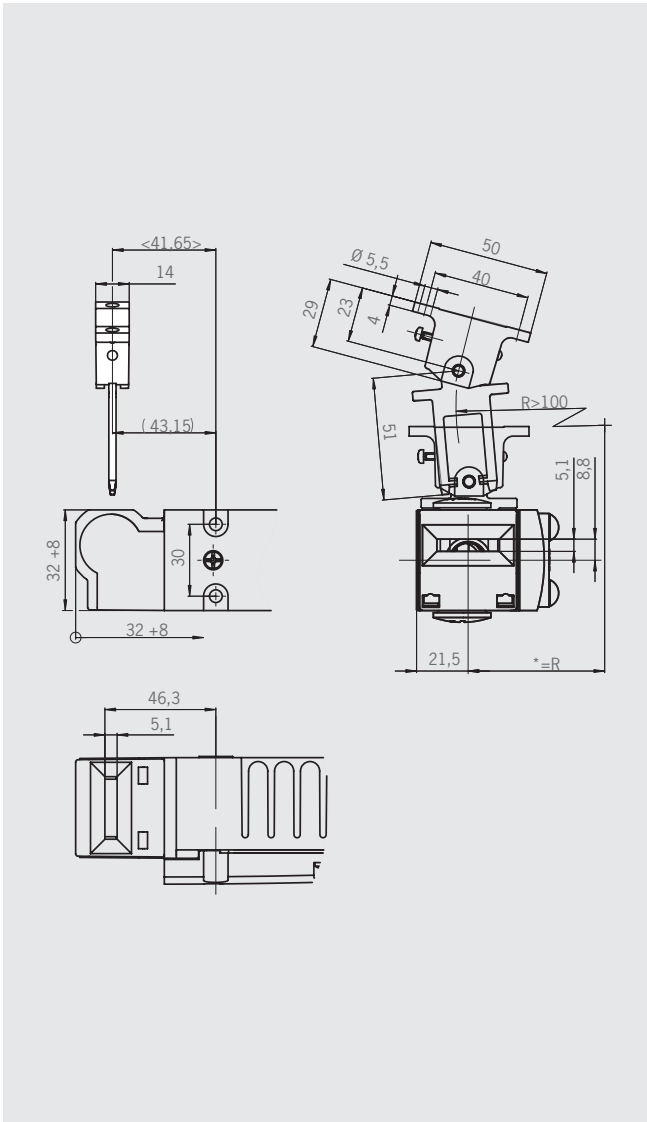
Ordering table

Designation	Version	Min. door radius r [mm]	Packaging unit	Order No.
Actuator straight rubber bush	X-GQ Overtravel 2 mm incl. 2 safety screws M4 x 14	300	1 ea.	079 739 ACTUATOR-X-GQ
Actuator bent rubber bush	X-WQ Overtravel 2 mm incl. 2 safety screws M4 x 14	300	1 ea.	079 740 ACTUATOR-X-WQ
Actuator straight rubber bush, overtravel	X-GNQ Overtravel 7 mm incl. 2 safety screws M4 x 14	440	1 ea.	079 741 ACTUATOR-X-GNQ
Actuator bent rubber bush, overtravel	X-WNQ Overtravel 7 mm incl. 2 safety screws M4 x 14	440	1 ea.	079 742 ACTUATOR-X-WNQ

* The dimension 8 relates to the fitted state

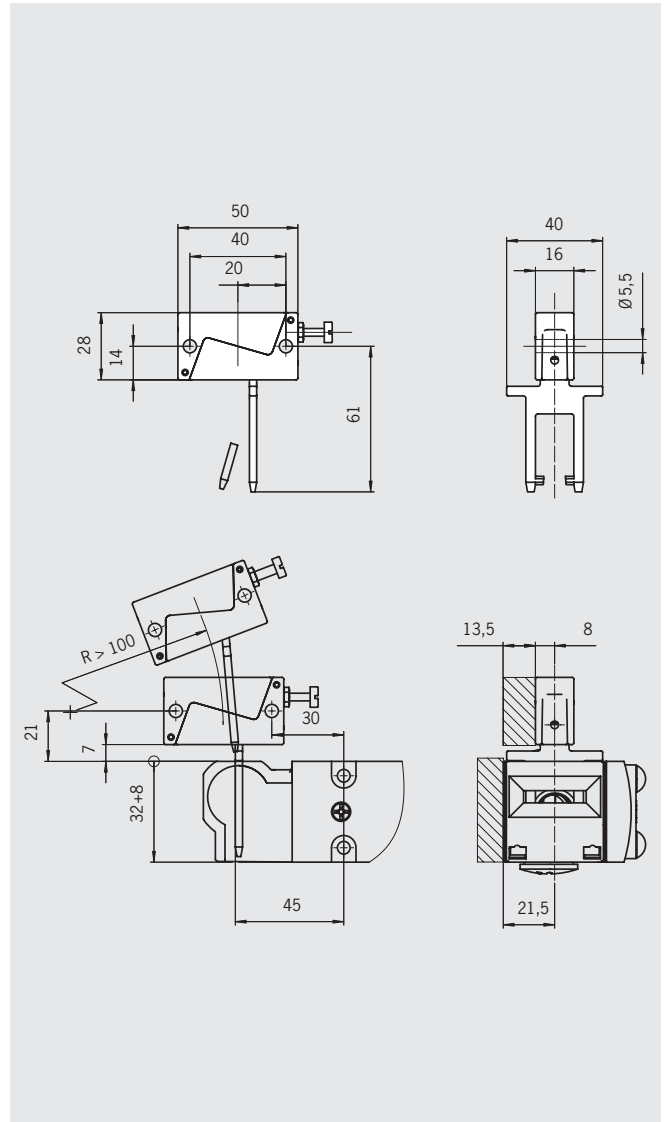
Hinged actuator X-LR-N

Hinged ≥ 100 mm, safety guard hinged on the right/left



Hinged actuator X-OU-N

Hinged ≥ 100 mm, safety guard hinged at bottom/top



Ordering table

Designation	Version	Min. door radius r [mm]	Packaging unit	Order No.
Hinged actuator	X-LR-N Safety guard hinged on the right or left incl. 2 safety screws M5 x 10	≥ 100	1 ea.	098 082 HINGED ACTUATOR-X-LR-N
	X-OU-N Safety guard hinged at top or bottom incl. 2 safety screws M5 x 10	≥ 100	1 ea.	097 906 HINGED ACTUATOR-X-OU-N

For safety precautions see page 179
For technical data see page 151

Actuators for safety switches STA

- ▶ Two stainless safety screws per actuator
- ▶ Actuators with rubber bushings

Note

Type S actuators must not be used in conjunction with insertion funnels.

L actuators must be used for insertion funnels.

Straight actuator

Suitable for a maximum tensile force of 3000 N. The straight actuator is used on sliding doors or hinged doors with door radii greater than 300 mm. Safety screws prevent unscrewing of the actuator.

Bent actuator

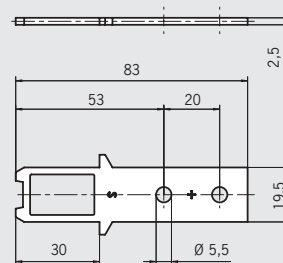
Suitable for a maximum tensile force of 1500 N.

Screws made of stainless steel

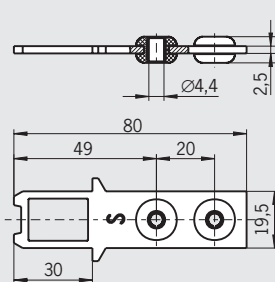
The safety screws included can be inserted with a normal tool, but cannot be removed again.

Standard actuator S, straight
without rubber bush, overtravel 5 mm

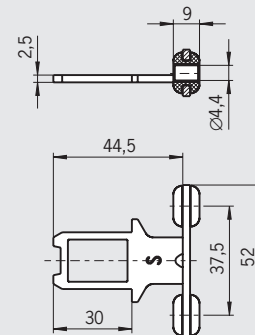
Dimension drawings



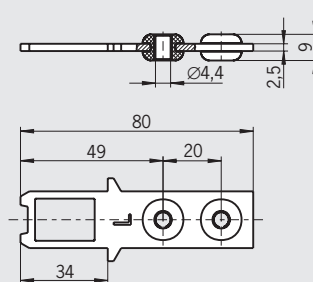
Standard actuator S, straight
with rubber bush, overtravel 5 mm



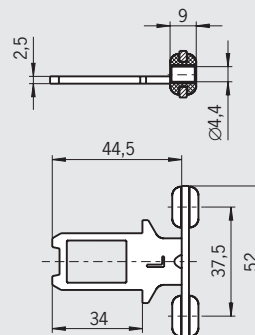
Standard actuator S, bent
with rubber bush, overtravel 5 mm



Actuator L, straight, for insertion funnel
with rubber bush, overtravel 5 mm



Actuator L, bent, for insertion funnel
with rubber bush, overtravel 5 mm



Ordering table

Designation	Version	Min. door radius r [mm]	Packaging unit	Order No.
Actuator S straight	S-G-SN-C2115 without rubber bush, overtravel 5 mm incl. 2 safety screws M5 x 10	300	1 ea.	097 861 ACTUATOR S-G-SN-C2115
	S-GT-SN with rubber bush, overtravel 5 mm incl. 2 safety screws M4 x 14	300	1 ea.	095 738 ACTUATOR S-GT-SN
Actuator S bent	S-WQ-SN with rubber bush, overtravel 5 mm incl. 2 safety screws M4 x 14	300	1 ea.	095 740 ACTUATOR S-WQ-SN
Actuator L straight	S-GT-LN with rubber bush, overtravel 5 mm incl. 2 safety screws M4 x 14	300	1 ea.	095 739 ACTUATOR S-GT-LN
Actuator L bent	S-WQ-LN with rubber bush, overtravel 5 mm incl. 2 safety screws M4 x 14	300	1 ea.	095 741 ACTUATOR S-WQ-LN

Hinged actuators for safety switches STA

- ▶ Actuators made of stainless steel
- ▶ Two stainless safety screws per actuator
- ▶ For top and bottom hinged doors
- ▶ For right and left hinged doors

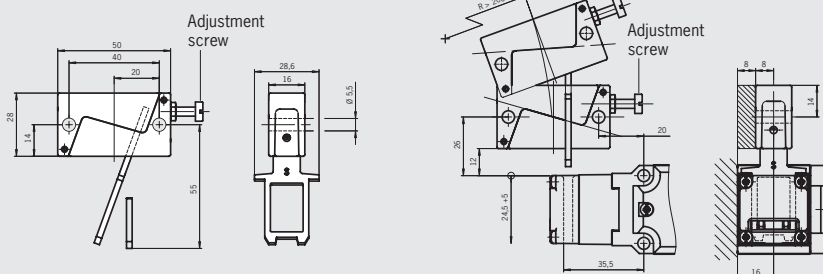
Hinged actuator

For door radii less than 1000 mm a hinged actuator should be used. The spring action movement of the actuator prevents damage due to the actuator jamming in the actuating head. Depending on the movement of the safety guard, the actuator must be selected for left/right or top/bottom.

Hinged actuator S-OU-SN

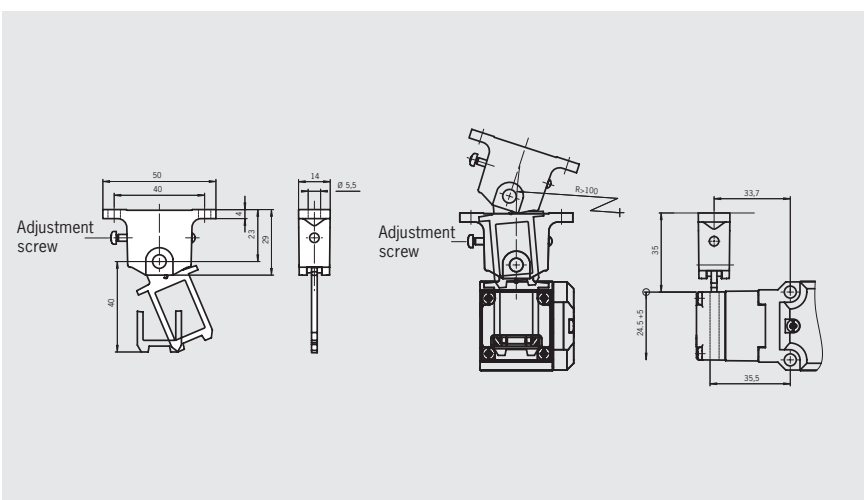
Hinged ≥ 200 mm, safety guard hinged at top/bottom, overtravel 5 mm

Dimension drawings



Hinged actuator S-LR-SN

Hinged ≥ 100 mm, safety guard hinged on left/right, overtravel 5 mm



Ordering table

Designation	Version	Min. door radius r [mm]	Packaging unit	Order No.
Hinged actuator	S-OU-SN For top and bottom hinged doors overtravel 5 mm incl. 2 safety screws M5 x 25	200	1 ea.	095 315 HINGED ACTUATOR-S-OU-SN
	S-LR-SN For left and right hinged doors overtravel 5 mm incl. 2 safety screws M5 x 10	100	1 ea.	096 838 HINGED ACTUATOR-S-LR-SN

For safety precautions see page 179
For technical data see page 151

Hinged actuators for safety switches STA

- ▶ Actuators made of stainless steel
- ▶ Two stainless safety screws per actuator
- ▶ For top and bottom hinged doors
- ▶ For right and left hinged doors

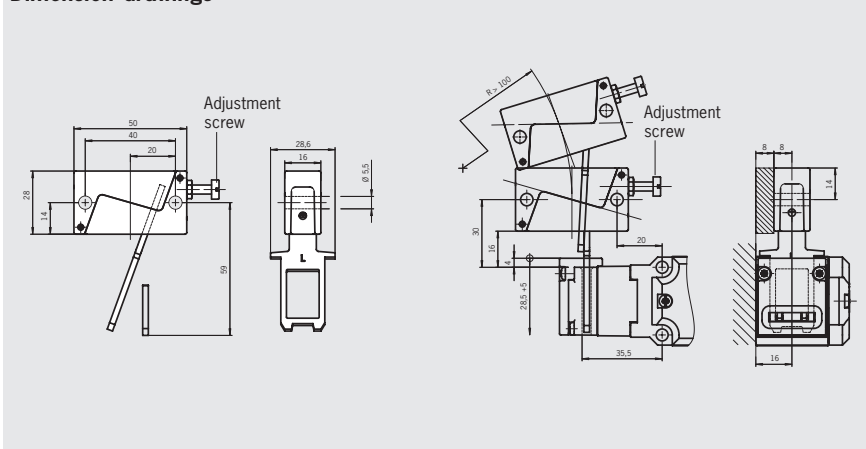
Hinged actuator

For door radii less than 1000 mm a hinged actuator should be used. The spring action movement of the actuator prevents damage due to the actuator jamming in the actuating head. Depending on the movement of the safety guard, the actuator must be selected for left/right or top/bottom.

Hinged actuator S-OU-LN for insertion funnel

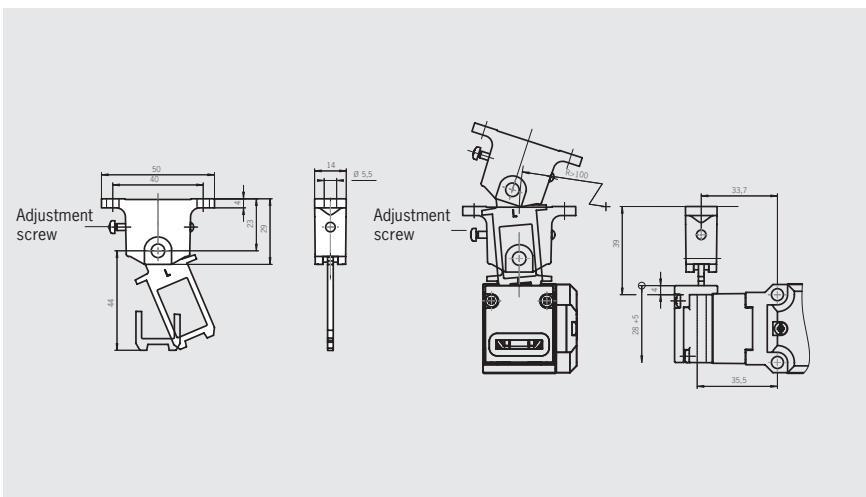
Hinged ≥ 200 mm, safety guard hinged at top/bottom, overtravel 5 mm

Dimension drawings



Hinged actuator S-LR-LN for insertion funnel

Hinged ≥ 100 mm, safety guard hinged on left/right, overtravel 5 mm



Ordering table

Designation	Version	Min. door radius r [mm]	Packaging unit	Order No.
Hinged actuator	O-OU-LN For top and bottom hinged doors overtravel 5 mm incl. 2 safety screws M5 x 25	200	1 ea.	096 697 HINGED ACTUATOR-S-OU-LN
	S-LR-LN For left and right hinged doors overtravel 5 mm incl. 2 safety screws M5 x 10	100	1 ea.	096 844 HINGED ACTUATOR-S-LR-LN