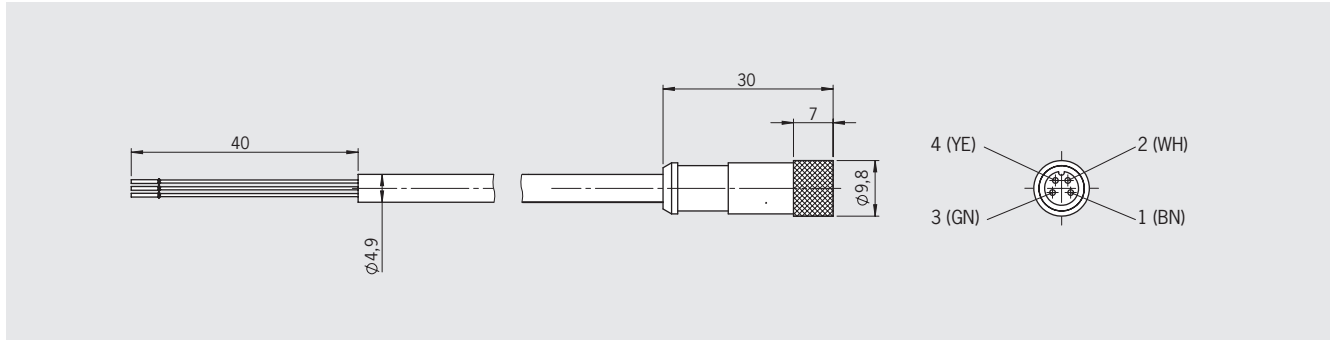


Accessories

- ▶ Connection cables for CMS read heads
- ▶ Jumpers for CMS evaluation units



Ordering table

Designation	Use	Cable length [m]	Order no./item
Connection cable PVC 4 x 0.25 mm ² with plug connector M8 4-pin	For read heads CMS with plug connector M8	1	104142 C-M08F04-04X025PV01,0-ES-104142
		3	104143 C-M08F04-04X025PV03,0-ES-104143
		5	104144 C-M08F04-04X025PV05,0-ES-104144
		10	104145 C-M08F04-04X025PV10,0-ES-104145
2-pole jumper (Packaging unit 10 ea.)	For evaluation unit CMS-E-BR/ER	-	085665 CMS-A-J2
3-pole jumper (Packaging unit 10 ea.)	For evaluation unit CMS-E-AR/FR	-	085666 CMS-A-J3
4-pole jumper (Packaging unit 10 ea.)	For evaluation unit CMS-E-AR	-	085667 CMS-A-J4

Accessories for safety modules ESM

- ▶ Connection kit ESM...P with screw terminals or spring terminals

Important: One connection kit is required, depending on the device (see information on the corresponding product page). Two connection kits are required for devices from series ESM-BA701P.

Ordering table

Designation	Description	Order no./item
Connection kit ESM...P with screw terminals	Comprising: 4 plug-in screw terminals (can be coded) 2 jumpers coding pins	097194 ESM-F-AK4
Connection kit ESM...P with spring terminals	Comprising: 4 plug-in spring terminals (can be coded) 2 jumpers coding pins	097195 ESM-F-KK4