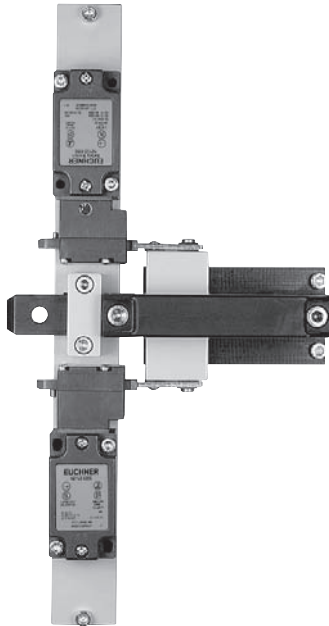


Bolts for safety guards

- ▶ For 2 safety switches NZ.VZ on one bolt



Special features

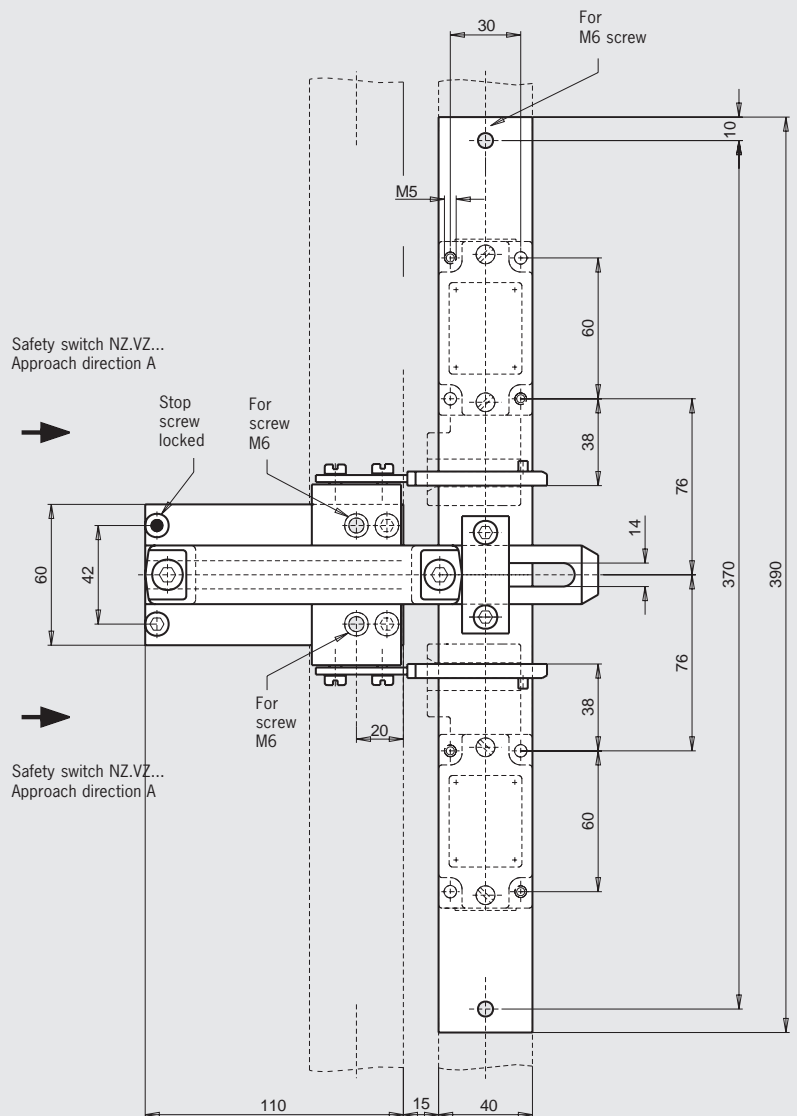
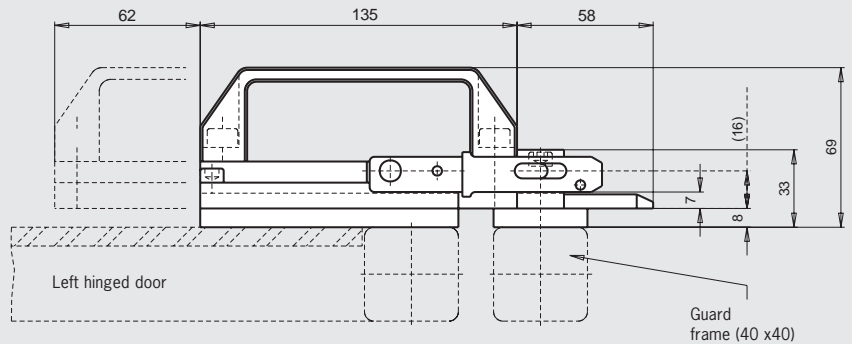
- ▶ One bolt for 2 safety switches
 - ▶ High control category (e. g. category 4) is achieved
- ▶ Bolt can be used for doors hinged on the right or left

Features

- ▶ Easily fitted to standard aluminum profiles and machine covers by screw connection
- ▶ Distinctive yellow color for easy recognition
- ▶ Robust version for heavy doors
- ▶ No additional door handle necessary
- ▶ Slot on the bolt permits attachment of padlocks

Bolt for 2 safety switches NZ.VZ on one bolt

Dimension drawings



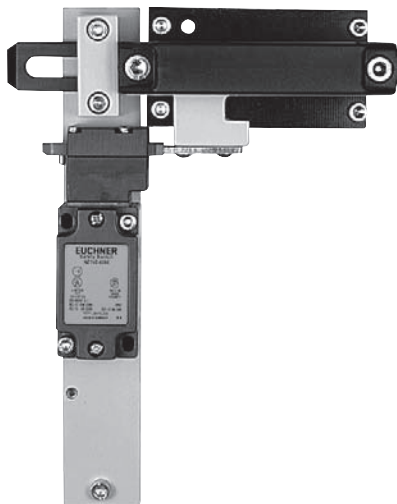
Ordering table

Designation	Detent mechanism	Version	Order No.
Bolt NZ-AC	None	For right or left hinged doors, 2 safety switches on one bolt, actuator included	076 188 Bolt NZ-AC

For safety precautions see page 179
For technical data see page 151

Bolts for safety guards

- ▶ For safety switches NZ.VZ
- ▶ Lever for escape release from the danger area
- ▶ Bolt with detent knob
- ▶ For right or left hinged doors



Special features

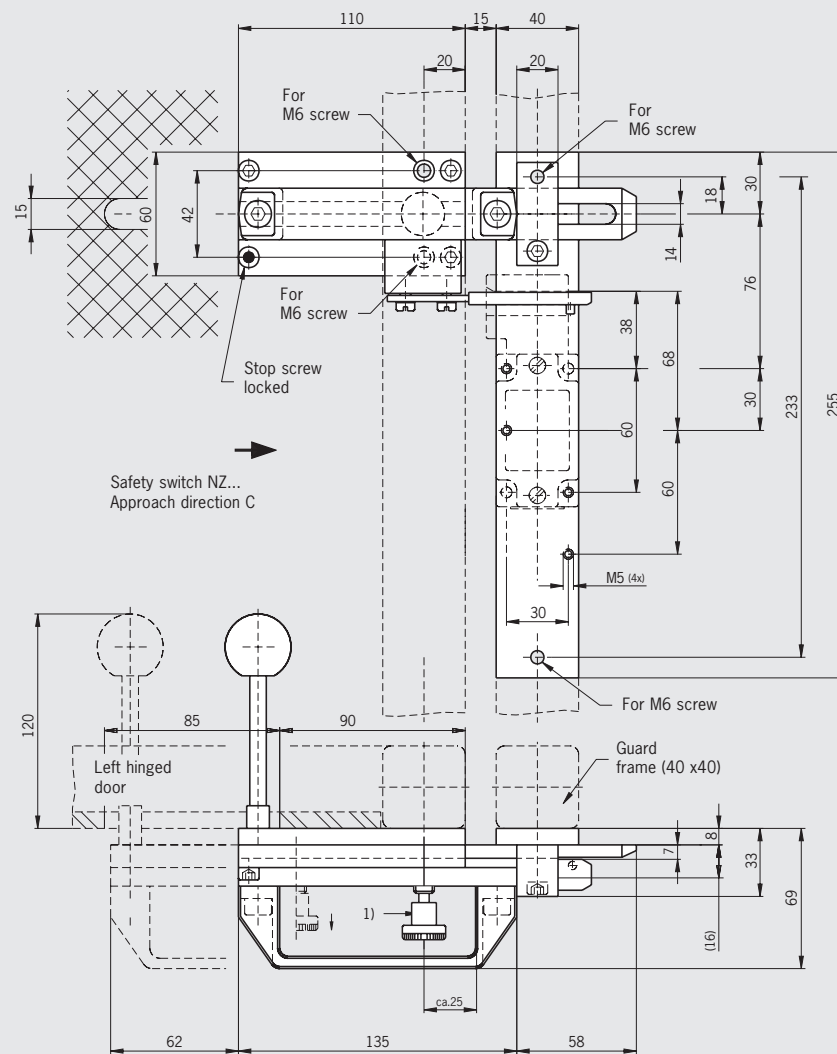
- ▶ Bolt with detent mechanism
 - ▶ The bolt latches in open position to prevent unintended closing

Features

- ▶ Easily fitted to standard aluminum profiles and machine covers by screw connection
- ▶ Distinctive yellow color for easy recognition
- ▶ Robust version for heavy doors
- ▶ No additional door handle necessary
- ▶ Slot on the bolt permits attachment of padlocks

Bolt for safety switches NZ.VZ

Dimension drawings



1) Bolt with detent mechanism:
Latches in open position and prevents unintended closing of the bolt.
Unlocked by pulling the detent knob upward.

Ordering table

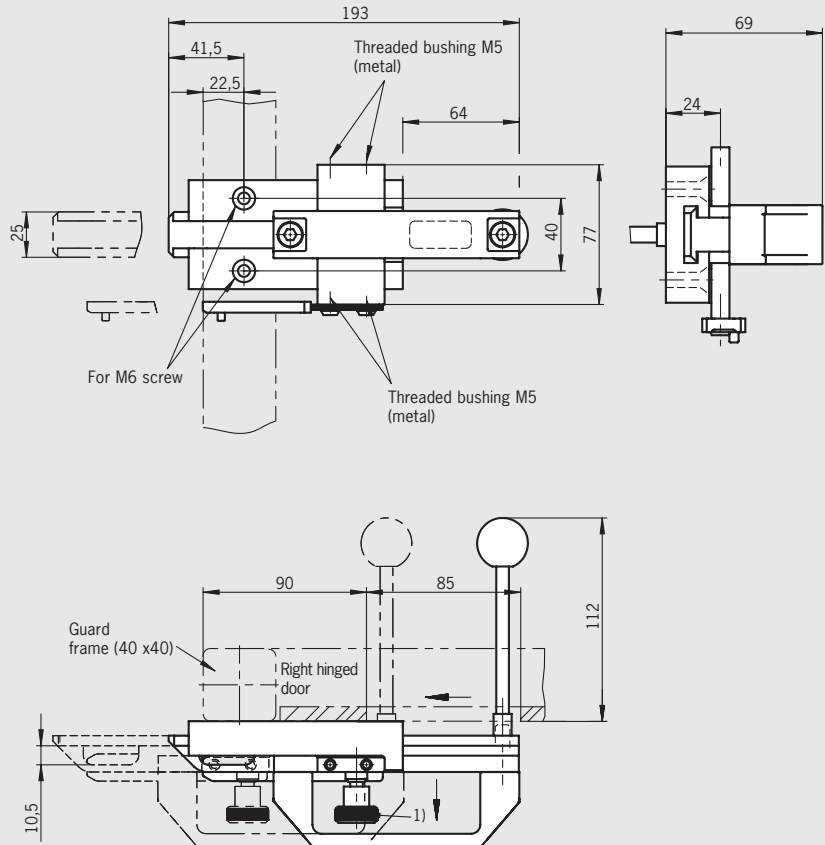
Designation	Detent mechanism	Version	Order No.
Bolt NZ-AF	Detent knob	For right hinged doors, escape release from the danger area, actuator included	078 451 Bolt NZ-AF
Bolt NZ-CF	Detent knob	For left hinged doors, escape release from the danger area, actuator included	078 452 Bolt NZ-CF

Bolts for safety guards

- ▶ For safety switches NZ.VZ
- ▶ Material: reinforced plastic
- ▶ Lever for escape release from the danger area
- ▶ Bolt with detent knob
- ▶ For right or left hinged doors

Bolt for safety switches NZ.VZ

Dimension drawings



- 1) Bolt with detent mechanism (only for bolts with escape release)
Latches in open position and prevents unintended closing of the bolt.
Unlocked by pulling the detent knob upward.

Special features

- ▶ Bolt with detent mechanism (only for bolts with escape release)
 - ▶ The bolt latches in open position to prevent unintended closing

Features

- ▶ Easily fitted to standard aluminum profiles and machine covers by screw connection
- ▶ Distinctive yellow color for easy recognition
- ▶ Robust version for heavy doors
- ▶ No additional door handle necessary
- ▶ Slot on the bolt permits attachment of padlocks

Notes

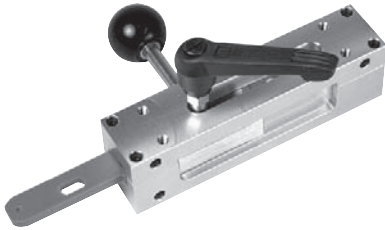
- ▶ Functions only in conjunction with switch bracket **NZ-GFK**
- ▶ Actuator included
- ▶ Please order safety switch separately
- ▶ Order switch bracket separately

Ordering table

Designation	Detent mechanism	Version	Order No.
Bolt NZ-GFK	Without	For right hinged doors, without escape release; actuator included	096 617 Bolt NZ-GFK
Bolt NZ-GFK-F	Detent knob	For left hinged doors, escape release from the danger area, actuator included	097 603 Bolt NZ-GFK-F
Switch bracket NZ-GFK		Separate	096 614 Switch bracket NZ-GFK

Bolts for safety guards

- ▶ For safety switches NZ.VZ, NZ.VZ.VS and TZ...C1828
- ▶ Lever for escape release from the danger area
- ▶ Bolt with hand lever
- ▶ For right or left hinged doors



Special features

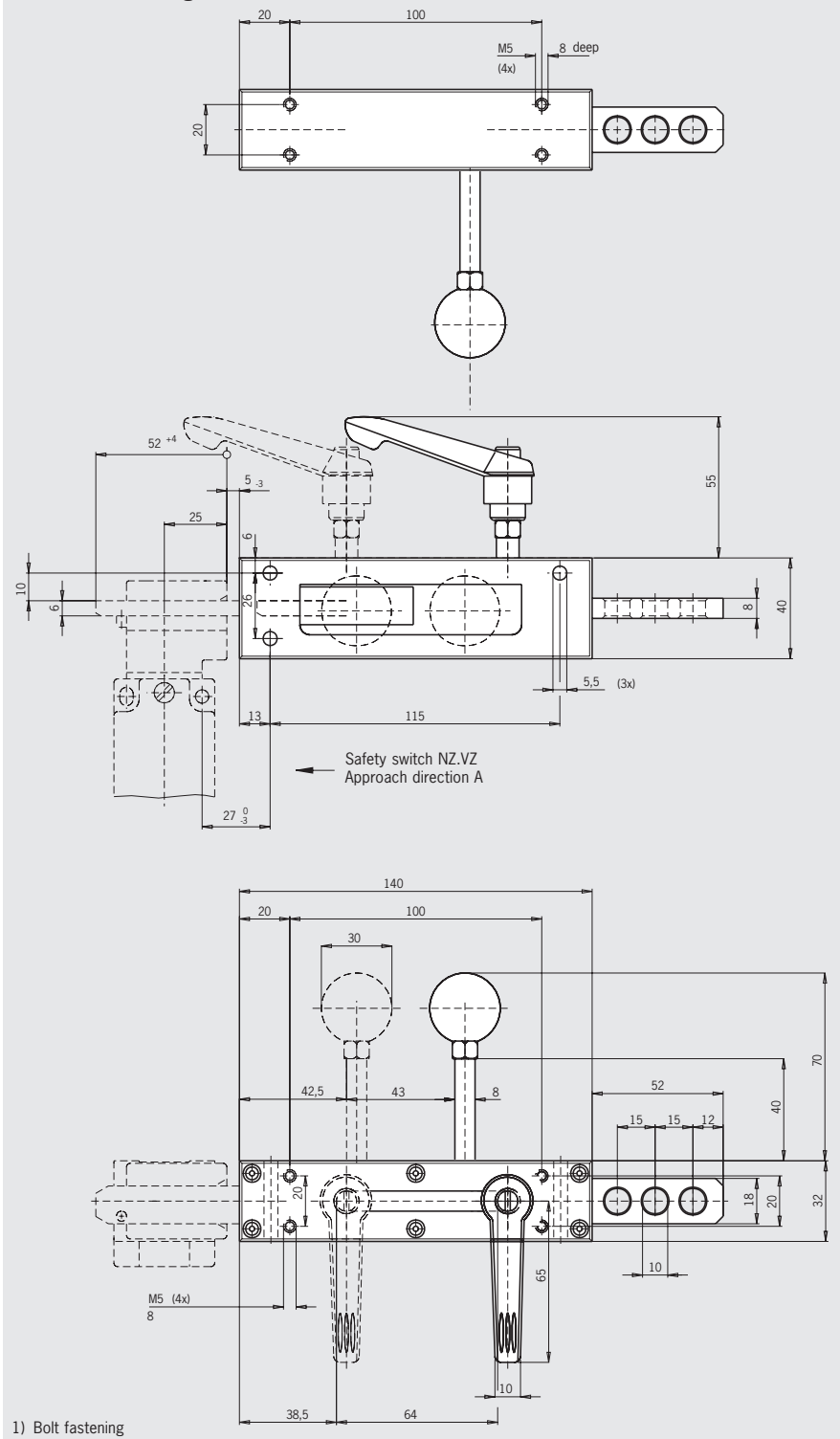
- ▶ The hand lever can be permanently set to 20 rotary positions (in 18° increments)
- ▶ After the door is opened, the actuator is automatically withdrawn into the bolt by a built-in return spring
 - ▶ The operator is protected
When the door is open there is no risk of injury due to protruding actuator
 - ▶ The actuator is protected
When hinged doors are closed it is ensured that the actuator is not used as an end stop

Features

- ▶ The lever for the escape release only enables the doors to be **opened** from inside the danger area
- ▶ Three holes enable padlocks to be attached

Bolt for safety switches NZ.VZ, NZ.VZ.VS and TZ...C1828

Dimension drawings



Ordering table

Designation	Detent mechanism	Version	Order No.
Bolt NZ/TZ-G1/AF	None	For right hinged doors, escape release from the danger area, actuator included	079 788 Bolt NZ/TZ-G1/AF
Bolt NZ/TZ-G1/CF	None	For left hinged doors, escape release from the danger area, actuator included	079 787 Bolt NZ/TZ-G1/CF

Bolts for safety guards

- ▶ For safety switches NZ.VZ, NZ.VZ.VS and TZ...
- ▶ Bolt with ball handle
- ▶ For right or left hinged doors



Special features

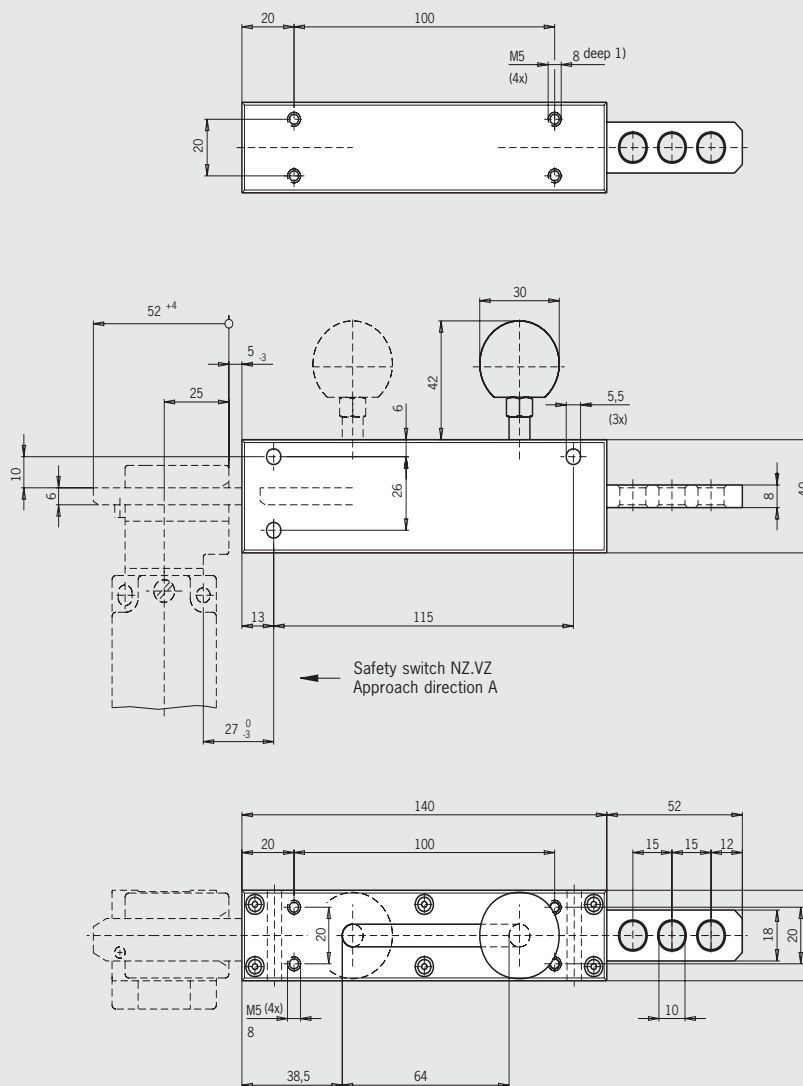
- ▶ On bolt **NZ/TZ-S1**, actuating pin on bottom
 - ▶ Safety switch fastened as shown in illustration
- ▶ On bolt **NZ/TZ-S2**, actuating pin on top
 - ▶ Safety switch fastened rotated by 180°
- ▶ After the door is opened, the actuator is automatically withdrawn into the bolt by a built-in return spring
 - ▶ The operator is protected
 - ▶ When the door is open there is no risk of injury due to protruding actuator
 - ▶ The actuator is protected
 - ▶ When hinged doors are closed it is ensured that the actuator is not used as an end stop

Features

- ▶ Three holes enable padlocks to be attached

Bolt for safety switches NZ.VZ, NZ.VZ.VS and TZ

Dimension drawings



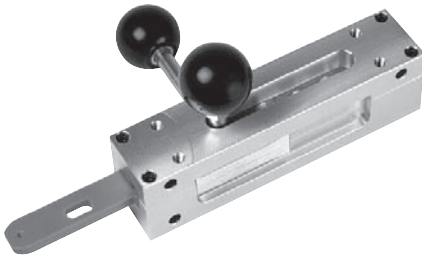
1) Bolt fastening

Ordering table

Designation	Detent mechanism	Version	Order No.
Bolt NZ/TZ-S1	None	For right or left hinged doors, actuating pin on bottom, actuator included	028 357 Bolt NZ/TZ-S1
Bolt NZ/TZ-S2	None	For right or left hinged doors, actuating pin on top, actuator included	028 359 Bolt NZ/TZ-S2

Bolts for safety guards

- ▶ For safety switches NZ.VZ, NZ.VZ.VS and TZ...C1828
- ▶ Lever for escape release from the danger area
- ▶ Bolt with ball handle
- ▶ For right or left hinged doors



Special features

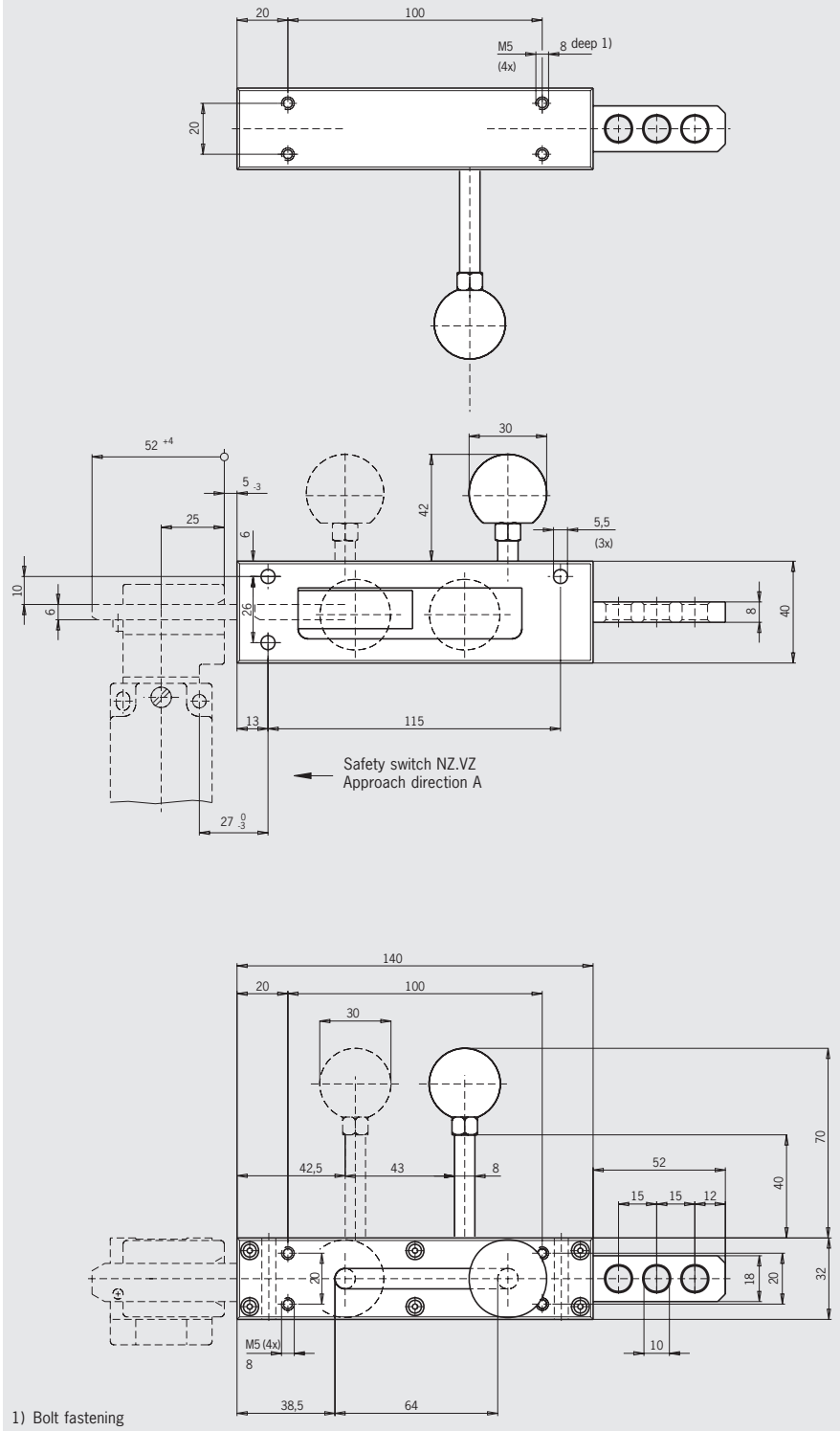
- ▶ After the door is opened, the actuator is automatically withdrawn into the bolt by a built-in return spring
 - ▶ The operator is protected
 - ▶ When the door is open there is no risk of injury due to protruding actuator
 - ▶ The actuator is protected
 - ▶ When hinged doors are closed it is ensured that the actuator is not used as an end stop

Features

- ▶ The lever for the escape release only enables the doors to be **opened** from inside the danger area
- ▶ Three holes enable padlocks to be attached

Bolt for safety switches NZ.VZ, NZ.VZ.VS and TZ...C1828

Dimension drawings

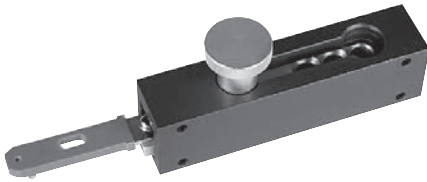


Ordering table

Designation	Detent mechanism	Version	Order No.
Bolt NZ/TZ-S1/AF	None	For right hinged doors, escape release from the danger area, actuator included	079 786 Bolt NZ/TZ-S1/AF
Bolt NZ/TZ-S1/CF	None	For left hinged doors, escape release from the danger area, actuator included	079 785 Bolt NZ/TZ-S1/CF

Bolts for safety guards

- ▶ For safety switches NZ.VZ, NZ.VZ.VS and TZ...
- ▶ Bolt with knurled knob
- ▶ For right or left hinged doors



Special features

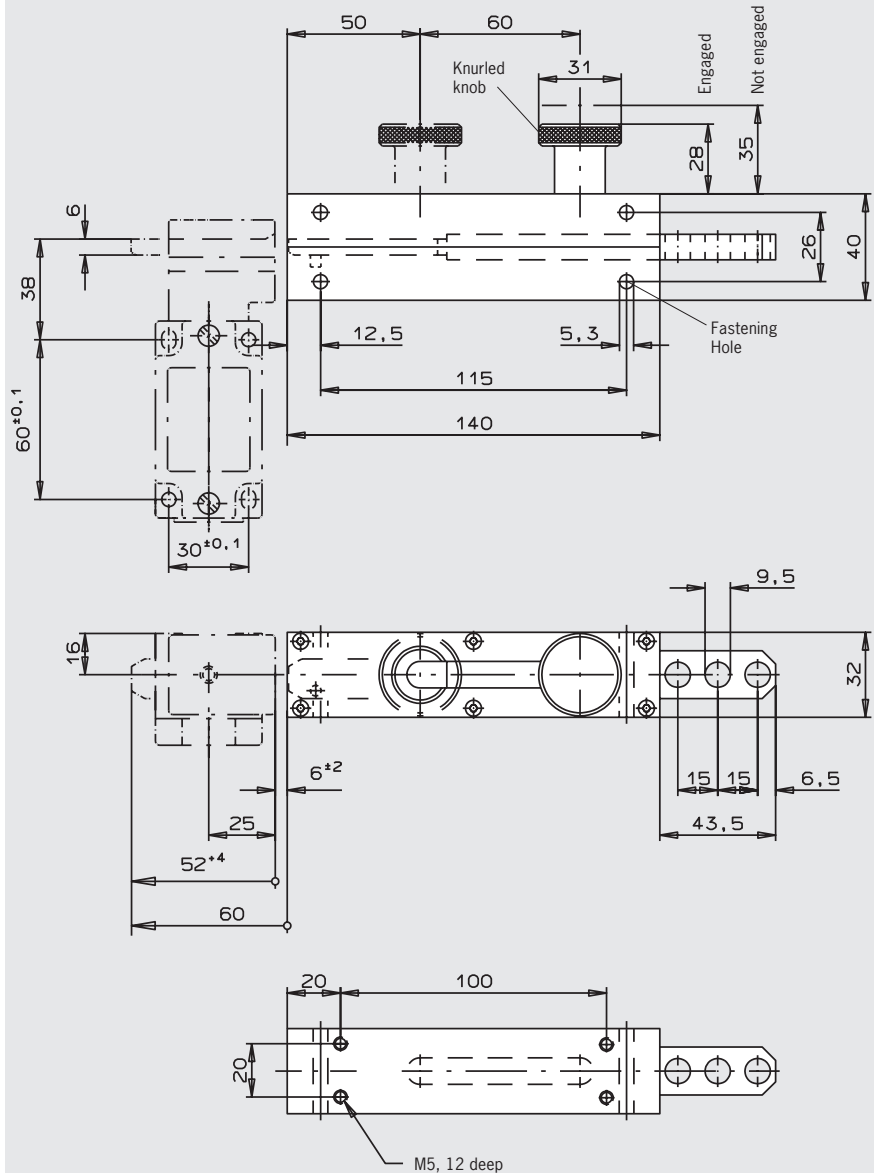
- ▶ Bolt knob engages in open and closed position. The actuator can be inserted in the safety switch by pulling the knurled knob

Features

- ▶ Three holes enable padlocks to be attached

Bolt for safety switches NZ.VZ, NZ.VZ.VS and TZ

Dimension drawings

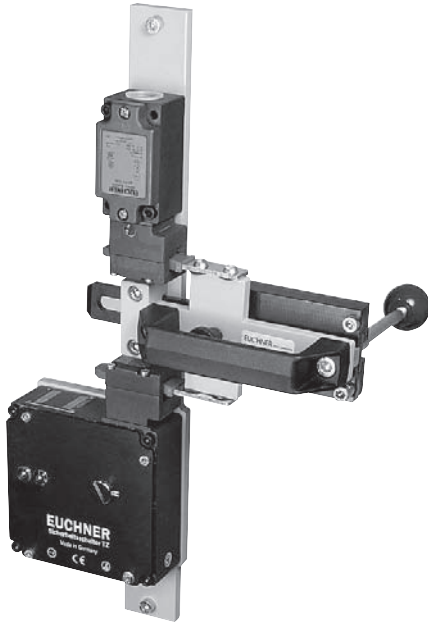


Ordering table

Designation	Detent mechanism	Version	Order No.
Bolt NZ/TZ-Z	Knurled knob	For right or left hinged doors, actuator included	057 770 Bolt NZ/TZ-Z

Bolts for safety guards

- ▶ For safety switches NZ.VZ, TZ...C1684, TZ...C1815 and TZ...C1828
- ▶ Lever for escape release from the danger area
- ▶ For 2 safety switches on one bolt (NZ and TZ)
- ▶ For right or left hinged doors



Special features

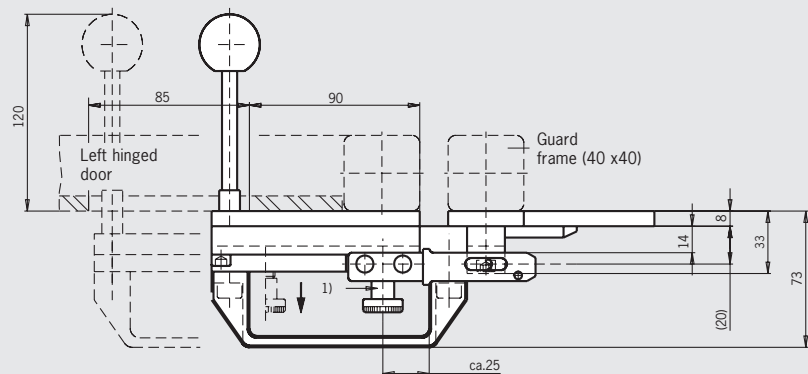
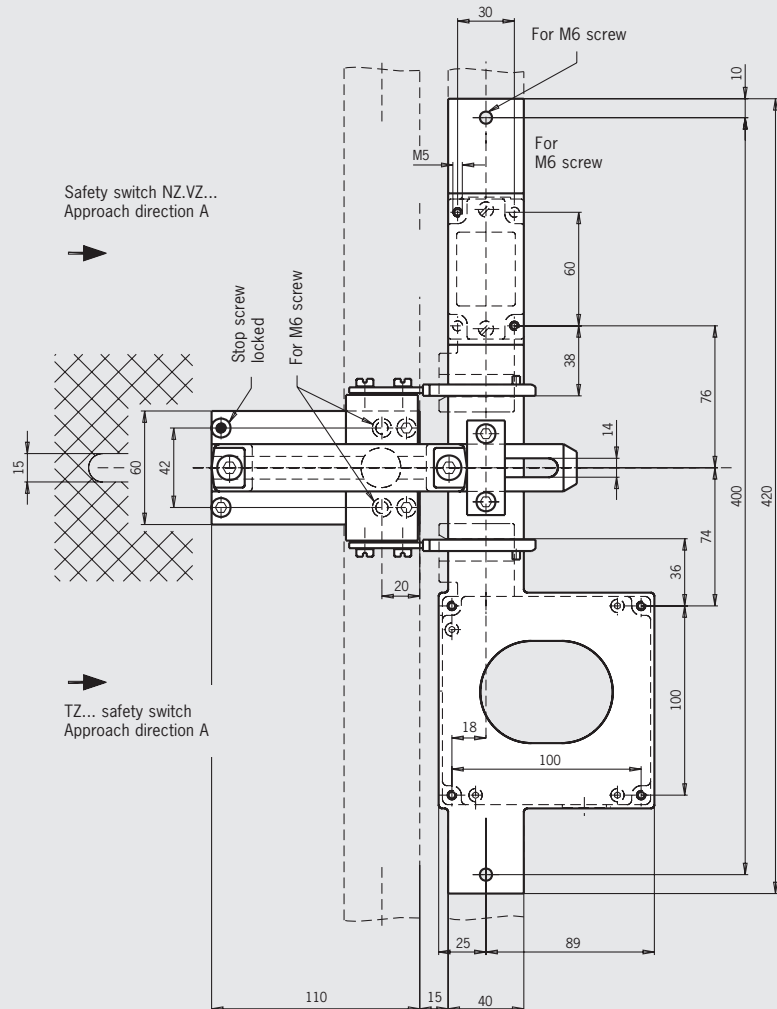
- ▶ One bolt for 2 safety switches (NZ and TZ with guard locking)
 - ▶ High control category (e. g. category 4) is achieved
- ▶ Bolt with detent mechanism
 - ▶ The bolt latches in open position to prevent unintended closing

Features

- ▶ Easily fitted to standard aluminum profiles and machine covers by screw connection
- ▶ Distinctive yellow color for easy recognition
- ▶ Robust version for heavy doors
- ▶ No additional door handle necessary
- ▶ Slot on the bolt permits attachment of padlocks

Bolt for 2 safety switches NZ.VZ on one bolt

Dimension drawings



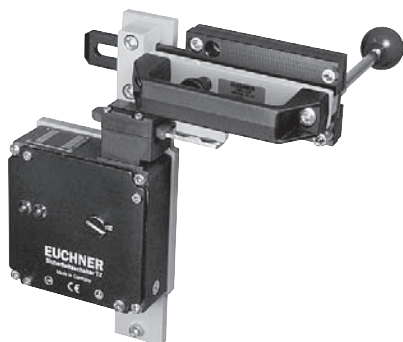
1) Bolt with detent mechanism:
Latches in open position and prevents unintended closing of the bolt.
Unlocked by pulling the detent knob upward.

Ordering table

Designation	Detent mechanism	Version	Order No.
Bolt NZ/TZ-ACF	Detent knob	For right or left hinged doors, 2 safety switches on one bolt, escape release from the danger area, actuator included	083 900 Bolt NZ/TZ-ACF

Bolts for safety guards

- ▶ For safety switches with escape release TZ...C1815 and TZ...C1828
- ▶ Lever for escape release from the danger area
- ▶ For right or left hinged doors



Special features

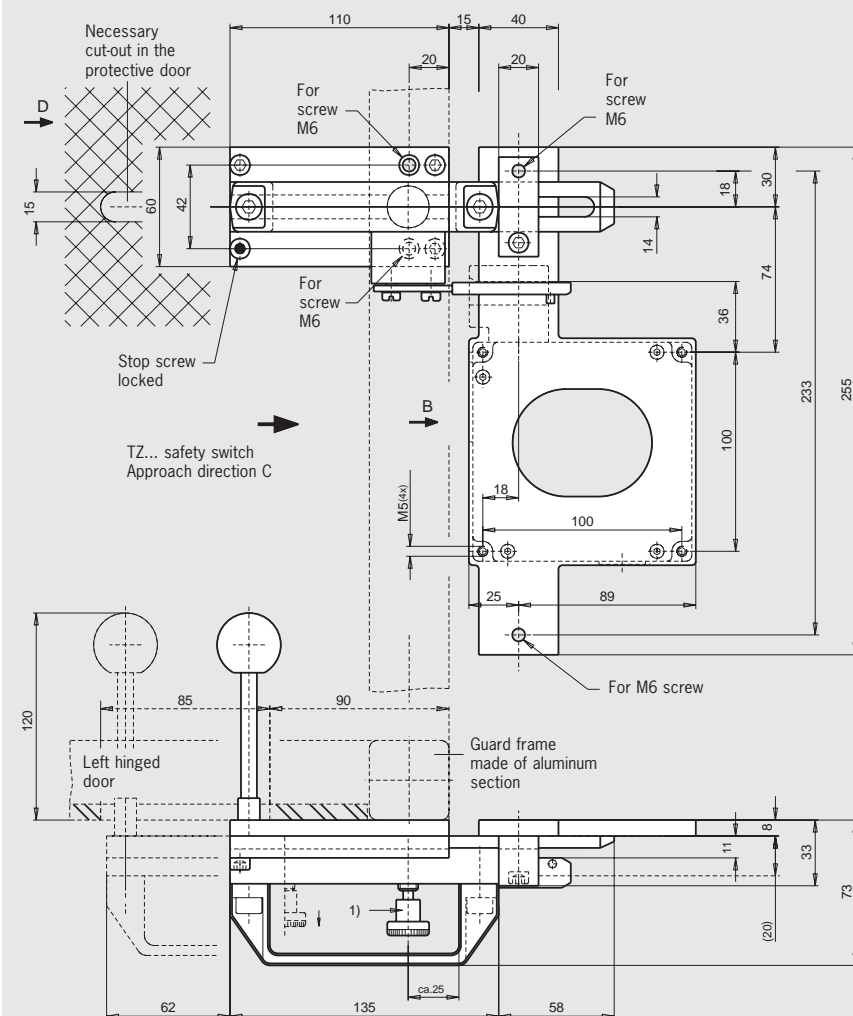
- ▶ Bolt with detent mechanism
 - ▶ The bolt latches in open position to prevent unintended closing

Features

- ▶ Easily fitted to standard aluminum profiles and machine covers by screw connection
- ▶ Distinctive yellow color for easy recognition
- ▶ Robust version for heavy doors
- ▶ No additional door handle necessary
- ▶ Slot on the bolt permits attachment of padlocks

Bolt for safety switches TZ...C1815 and TZ...C1828

Dimension drawings



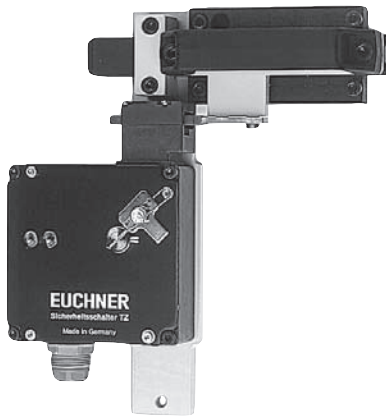
1) Bolt with detent mechanism:
Latches in open position and prevents unintended closing of the bolt.
Unlocked by pulling the detent knob upward.

Ordering table

Designation	Detent mechanism	Version	Order No.
Bolt TZ-AF	Detent knob	For right hinged doors, escape release from the danger area, actuator and switch bracket included	076 200 Bolt TZ-AF
Bolt TZ-CF	Detent knob	For left hinged doors, escape release from the danger area, actuator and switch bracket included	076 199 Bolt TZ-CF

Bolts for safety guards

- ▶ For safety switches TZ
- ▶ Optional stainless steel bolt, 1.4301
- ▶ For right or left hinged doors



Features

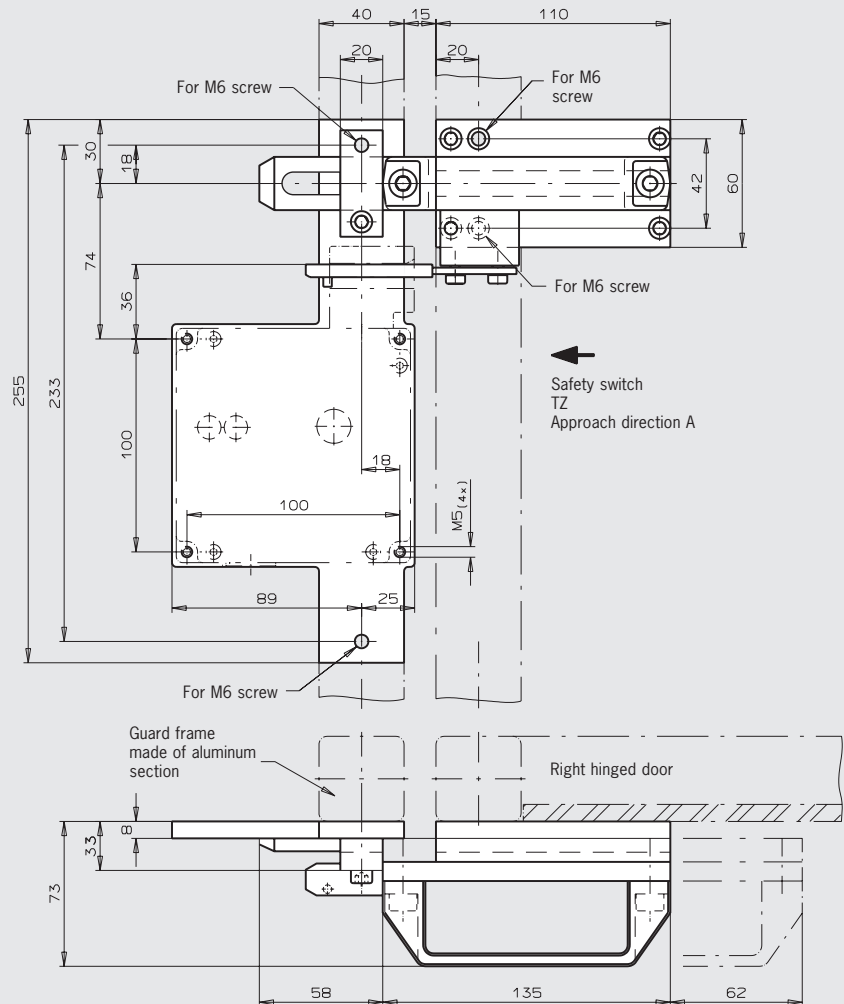
- ▶ Easily fitted to standard aluminum profiles and machine covers by screw connection
- ▶ Easy to use
- ▶ Distinctive yellow color for easy recognition
- ▶ Robust version for heavy doors
- ▶ No additional door handle necessary
- ▶ Slot on the bolt permits attachment of padlocks

Version in stainless steel 1.4301

- ▶ Suitable for use in the chemical and foodstuff industries
- ▶ Screw material stainless steel V2A
- ▶ Handle material polypropylene
- ▶ Slide strip material polyethylene

Bolts for safety switches TZ

Dimension drawings



Ordering table

Designation	Detent mechanism	Version	Order No.
Bolt TZ-A	None	For right hinged doors actuator and switch bracket included	057 736 Bolt TZ-A
Bolt TZ-C	None	For left hinged doors actuator and switch bracket included	057 737 Bolt TZ-C
Bolt TZ-A-NIRO	None	For right hinged doors, bolt made of stainless steel 1.4301, actuator and switch bracket included	079 798 Bolt TZ-A-NIRO
Bolt TZ-C-NIRO	None	For left hinged doors, bolt made of stainless steel 1.4301, actuator and switch bracket included	079 799 Bolt TZ-C-NIRO
Bolt TZ-A-NIRO-C2101	None	For right hinged doors, bolt made of stainless steel 1.4301, screws made of stainless steel V2A, handle and slide strips made of stainless steel 1.4301, actuator and switch bracket included (similar to figure)	096 057 Bolt TZ-A-NIRO-C2101
Bolt TZ-C-NIRO-C2101	None	For left hinged doors, bolt made of stainless steel 1.4301, screws made of stainless steel V2A, handle and slide strips made of stainless steel 1.4301, actuator and switch bracket included (similar to figure)	096 058 Bolt TZ-C-NIRO-C2101

For safety precautions see page 179
For technical data see page 151

Bolts for safety guards for safety switches STA

- ▶ Lever for escape release from the danger area (optional)



Special features

(only for bolts S-AF and S-CF with escape release)

- ▶ Bolt with detent mechanism
The bolt latches in open position to prevent unintended closing
- ▶ Lever for escape release from the danger area (optional)

Features

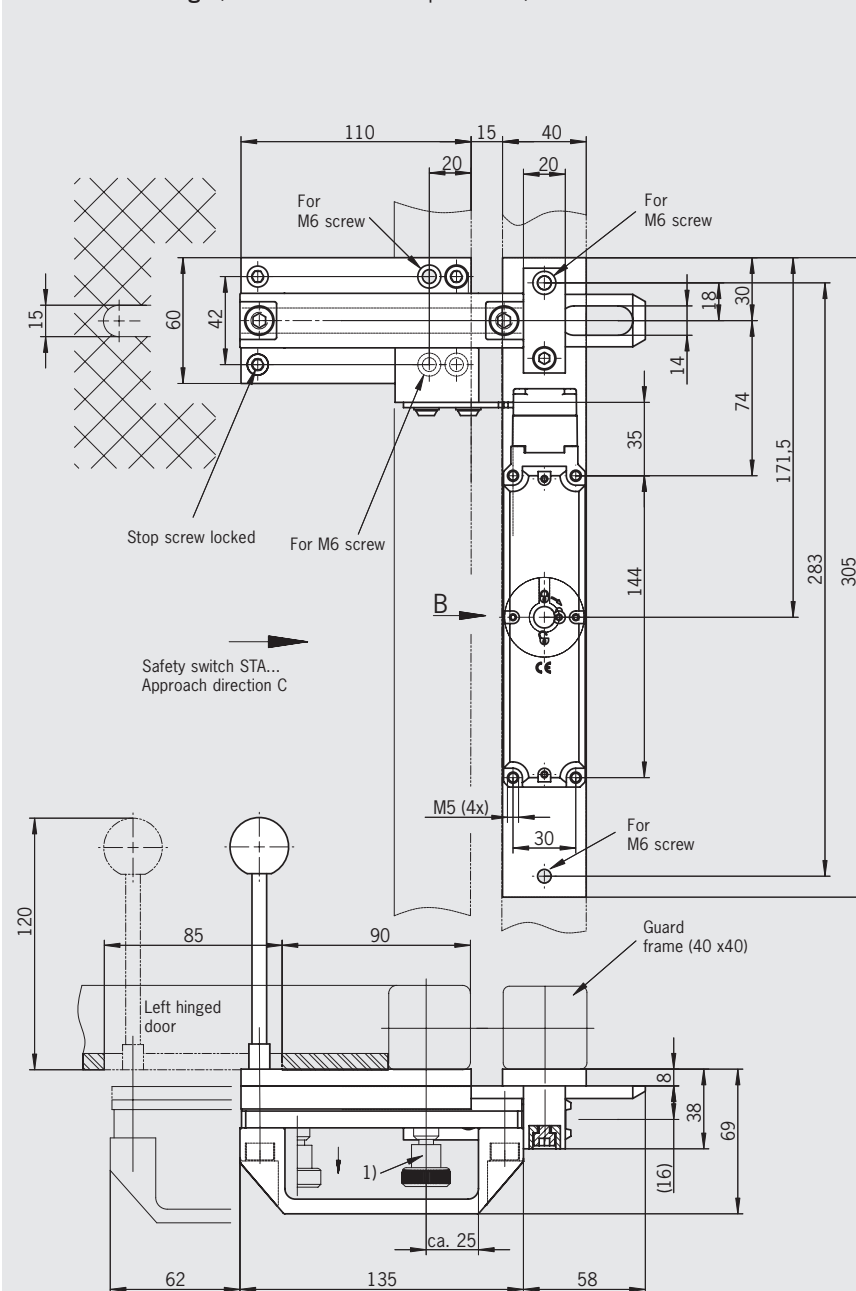
- ▶ Easily fitted to standard aluminum profiles and machine covers by screw connection
- ▶ Distinctive yellow color for easy recognition
- ▶ Robust version for heavy doors
- ▶ No additional door handle necessary
- ▶ Slot on the bolt permits attachment of padlocks

Notes

- ▶ The bolts are only suitable for series STA...
- ▶ Actuator included
- ▶ Please order safety switch separately

Bolt for safety switches STA...

Dimension drawings (here: shown with escape release)



1) Bolt with detent mechanism (only for bolts S-AF and S-CF with escape release)
Latches in open position and prevents unintended closing of the bolt.
Unlocked by pulling the detent knob upward.

Ordering table

Designation	Detent mechanism	Version	Order No.
Bolt S-AF	Detent knob	For right hinged doors, with escape release	096 390 Bolt S-AF
Bolt S-CF	Detent knob	For left hinged doors, with escape release	096 391 Bolt S-CF
Bolt S-A	without	For right hinged doors, without escape release	096 384 Bolt S-A
Bolt S-C	without	For left hinged doors, without escape release	096 385 Bolt S-C

Bolts for safety guards for safety switches STA

- ▶ Material: reinforced plastic
- ▶ Lever for escape release from the danger area
- ▶ For right or left hinged doors



Special features

- ▶ Bolt with detent mechanism (only for bolts with escape release)
The bolt latches in open position to prevent unintended closing

Features

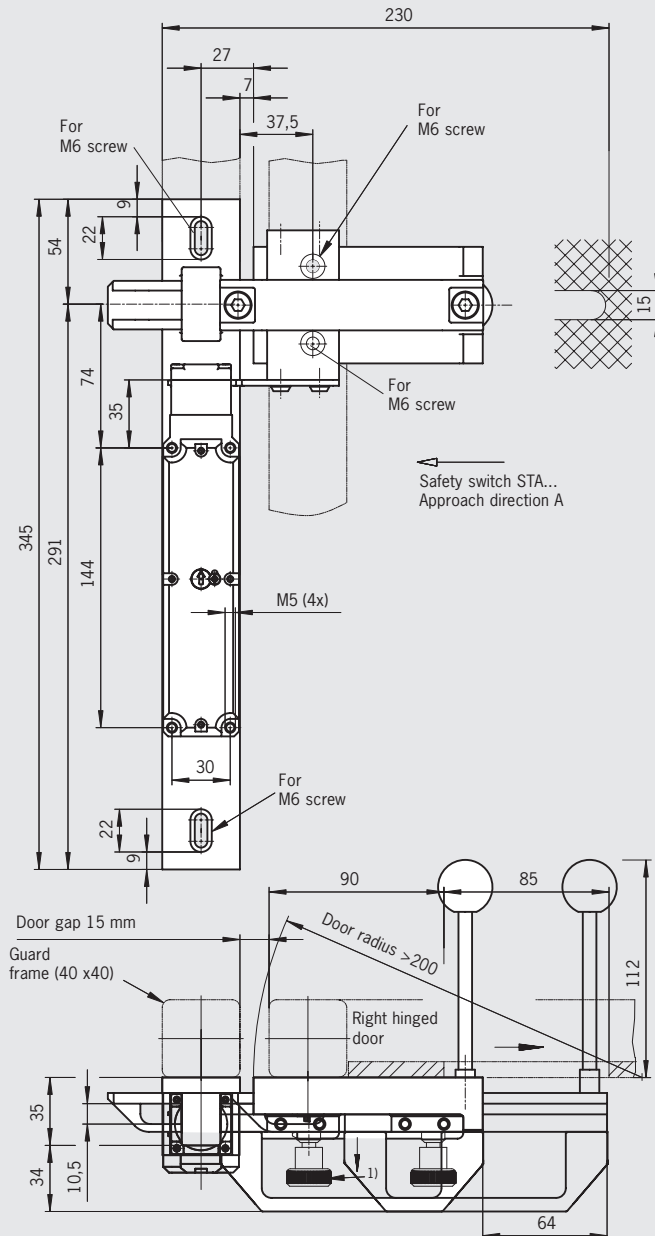
- ▶ Easily fitted to standard aluminum profiles and machine covers by screw connection
- ▶ Distinctive yellow color for easy recognition
- ▶ Robust version for heavy doors
- ▶ No additional door handle necessary
- ▶ Slot on the bolt permits attachment of padlocks

Notes

- ▶ Functions only in conjunction with switch bracket **TP-GFK**
- ▶ Actuator included
- ▶ Please order safety switch separately
- ▶ Order switch bracket separately

Bolt for safety switches STA

Dimension drawings (here: shown with escape release)



- 1) Bolt with detent mechanism (only for bolts with escape release)
Latches in open position and prevents unintended closing of the bolt.
Unlocked by pulling the detent knob upward.

Ordering table

Designation	Detent mechanism	Version	Order No.
Bolt STP-GFK	without	For right or left hinged doors, without escape release (also for STA)	098 121 Bolt STP-GFK
Switch bracket TP-GFK		Separate (also for STA)	096 613 Switch bracket TP-GFK

Accessories for bolts

- ▶ Adapter NZ/TZ... for safety switches NZ.../TZ... for Bosch EcoSafe 45x45 and 30x30
- ▶ Replacement handle for EUCHNER bolts

Adapter NZ/TZ

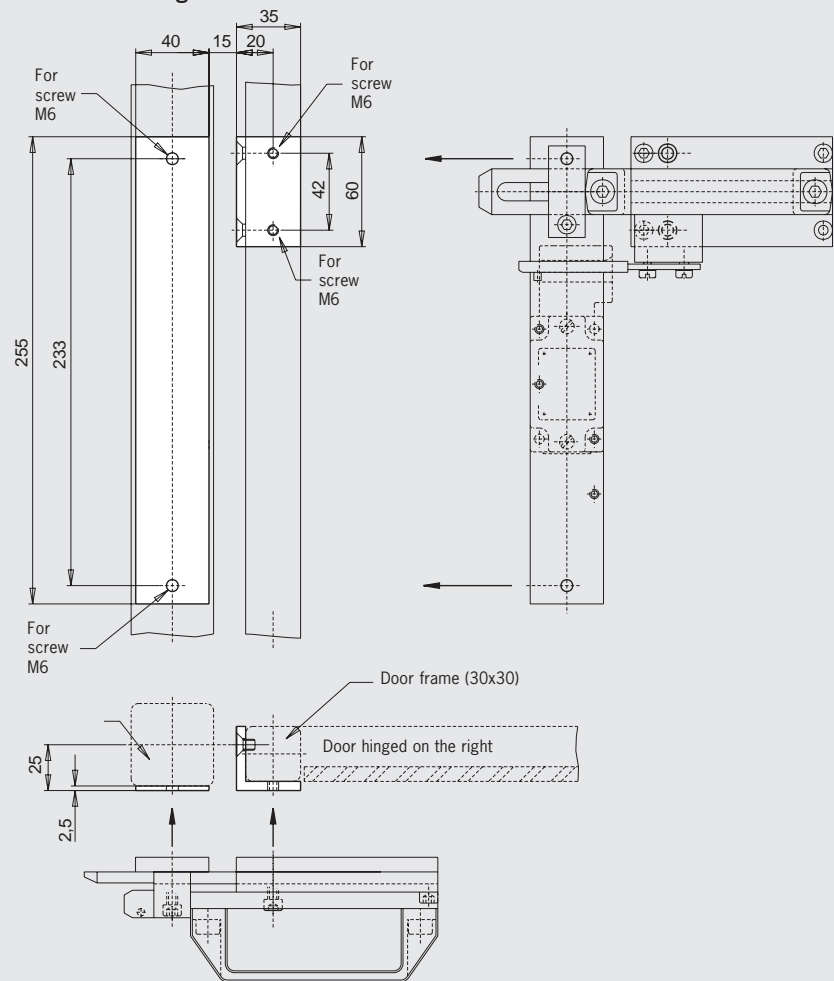
Using the adapter set the **NZ...** and **TZ...** bolts can be fastened to aluminum profiles (Bosch EcoSafe)

The adapter set is only suitable for protection cross-beams 45x45 mm in combination with safety doors 30x30 mm

- ▶ Simple screw mounting
- ▶ Symmetrical design for doors hinged on the right or left

Adapter NZ/TZ...

Dimension drawings

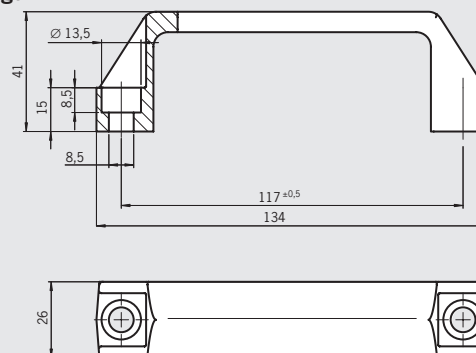


Replacement handle

- ▶ Material: plastic, reinforced polypropylene (PP)
- ▶ Color: black, mat
- ▶ Temperature resistance up to 100 °C

Adapter NZ/TZ...

Dimension drawings



Ordering table

Designation	Version	Order No.
Adapter NZ/TZ 45/30	Incl. 4 fastening screws for elbow adapter	079 033 Adapter NZ/TZ 45/30
Bolt handle/V5	Packaging unit 5 pieces, screws not included	093 500 Bolt handle/V5