

Bolts for safety guards

According to EN 12100-2 movable safety guards must be equipped with an interlocking device, with or without guard locking.

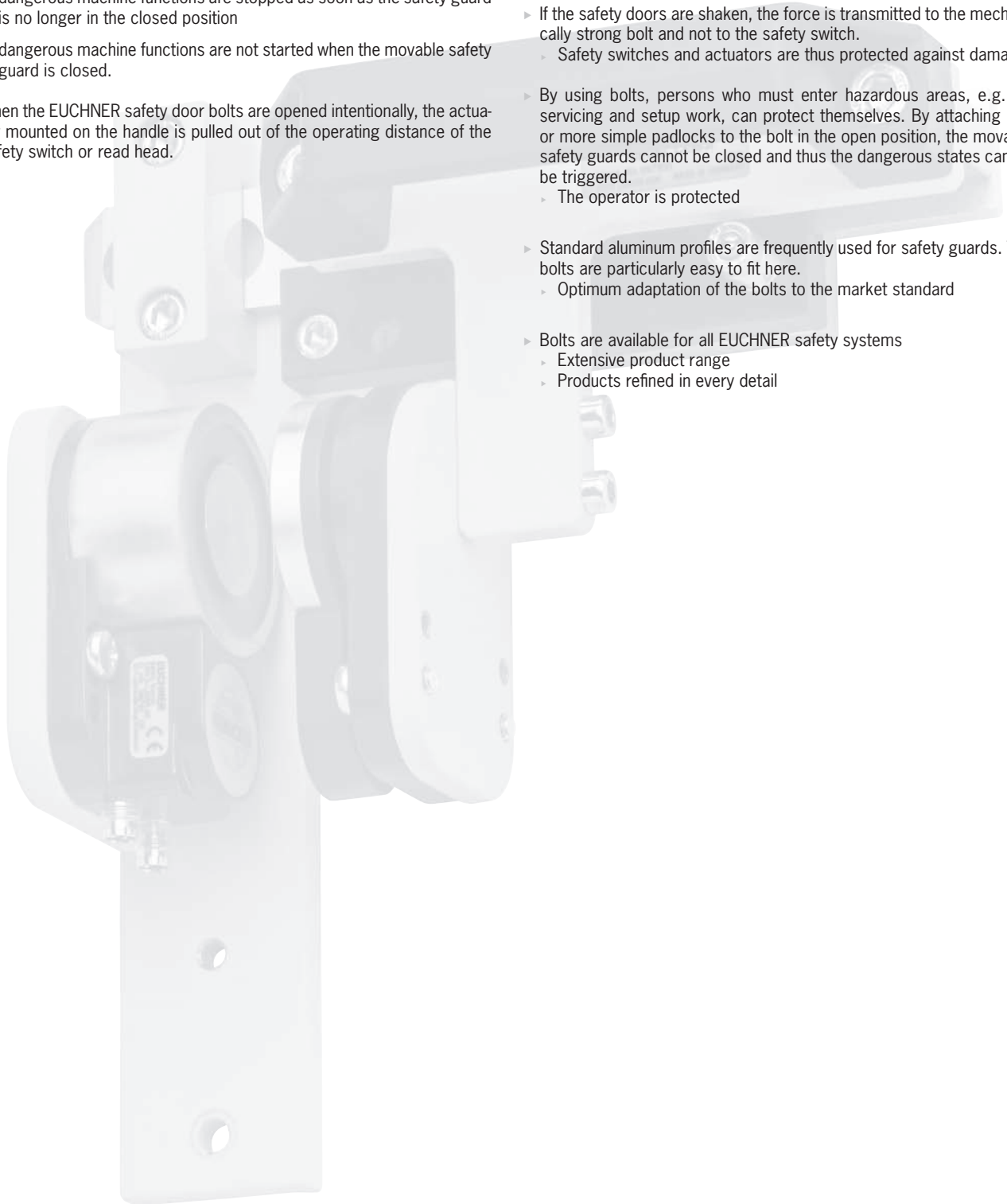
Here it must be ensured that

- ▶ dangerous machine functions are stopped as soon as the safety guard is no longer in the closed position
- ▶ dangerous machine functions are not started when the movable safety guard is closed.

When the EUCHNER safety door bolts are opened intentionally, the actuator mounted on the handle is pulled out of the operating distance of the safety switch or read head.

Bolts for safety guards offer important advantages:

- ▶ Bolts provide mechanical guard locking, i.e. the monitoring circuit cannot be opened unintentionally by moving the hinged door.
 - Accidental stoppage of the machine is prevented
- ▶ If the safety doors are shaken, the force is transmitted to the mechanically strong bolt and not to the safety switch.
 - Safety switches and actuators are thus protected against damage
- ▶ By using bolts, persons who must enter hazardous areas, e.g. for servicing and setup work, can protect themselves. By attaching one or more simple padlocks to the bolt in the open position, the movable safety guards cannot be closed and thus the dangerous states cannot be triggered.
 - The operator is protected
- ▶ Standard aluminum profiles are frequently used for safety guards. The bolts are particularly easy to fit here.
 - Optimum adaptation of the bolts to the market standard
- ▶ Bolts are available for all EUCHNER safety systems
 - Extensive product range
 - Products refined in every detail



Bolt CES-A-A

- ▶ In combination with read head CES-A-LNA...
- ▶ For doors hinged on the right or left



Features

- ▶ Easy mounting of the read head on the bracket for the bolt tongue
- ▶ Uniquely coded actuator (one-off)
 - maximum protection against tampering
- ▶ Ball detent mechanism in closed bolt position
 - protection against vibration

Features

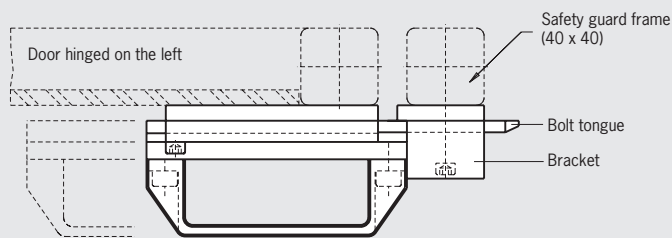
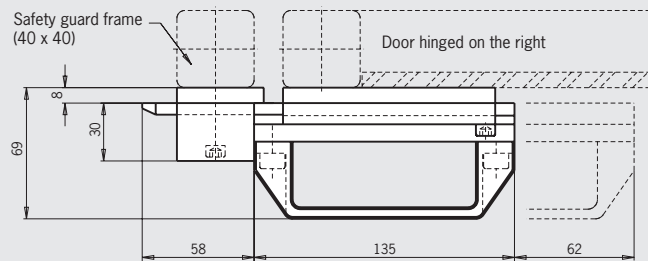
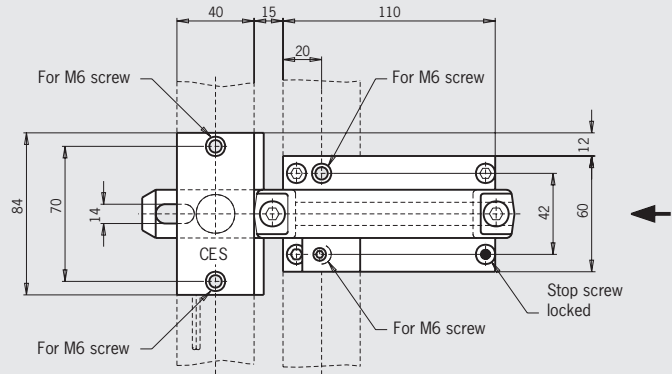
- ▶ Easily fitted to standard aluminum profiles and machine covers with screw connection
- ▶ Distinctive yellow color for easy recognition
- ▶ Symmetrical design for doors hinged on the right or left
- ▶ No additional door handle necessary

Notes

- ▶ CES actuator integrated in the bolt tongue
- ▶ Order read head and evaluation unit separately
- ▶ Other bolt types on request

Bolt CES-A-A

Dimension drawing



Ordering table

Designation	Detent mechanism	Type	Order No. / Item
Bolt CES-A-A	Closed position: Ball detent mechanism Open position: Without	For right or left hinged doors	076 487 CES-AA

Bolt CES-A-A/F

- ▶ Lever for escape release from the danger area
- ▶ In combination with read head CES-A-LNA...
- ▶ For doors hinged on the right or left



Features

- ▶ Easy mounting of the read head on the bracket for the bolt tongue
- ▶ Uniquely coded actuator (one-off)
 - maximum protection against tampering
- ▶ Bolt with detent mechanism
 - bolt latches in open position to prevent unintended closing

Features

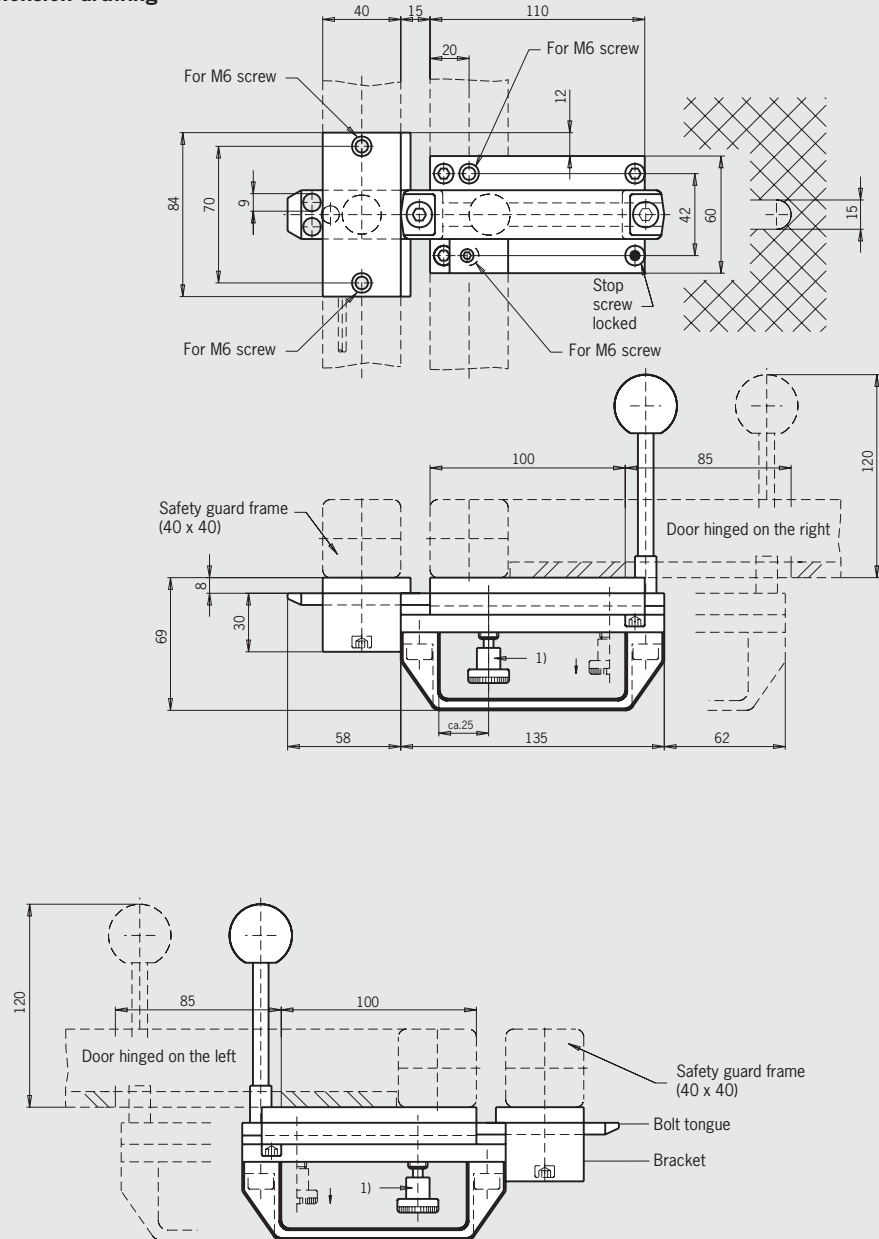
- ▶ Easily fitted to standard aluminum profiles and machine covers with screw connection
- ▶ Distinctive yellow color for easy recognition
- ▶ Symmetrical design for doors hinged on the right or left
- ▶ No additional door handle necessary

Notes

- ▶ CES actuator integrated in the bolt tongue
- ▶ Order read head and evaluation unit separately

Bolt CES-A-A/F

Dimension drawing



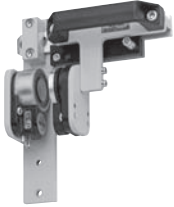
1) Bolt with detent mechanism latches in open position and prevents unintended closing of the bolt. Unlocked by pulling the detent knob upward.

Ordering table

Designation	Detent mechanism	Type	Order No. / Item
Bolt CES-A-A/F	Closed position: Without Open position: Detent knob	For doors hinged on the right or left	086 173 CES-AA/F

Bolt CEM-A and CEM-C

- ▶ In combination with read head CEM-A-LE05...
- ▶ For doors hinged on the right or left



Features

- ▶ Easy mounting of the read head
- ▶ Uniquely coded actuator (one-off) - maximum protection against tampering

Features

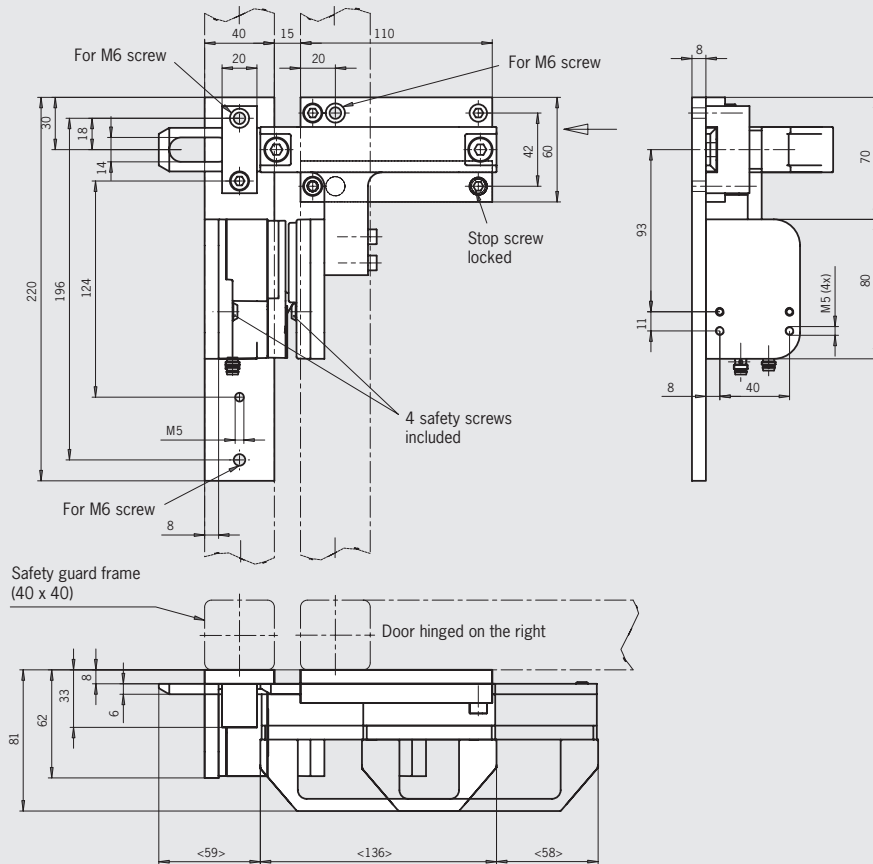
- ▶ Easily fitted to standard aluminum profiles and machine covers with screw connection
- ▶ Distinctive yellow color for easy recognition
- ▶ No additional door handle necessary

Notes

- ▶ Order read head, actuator and evaluation unit separately
- ▶ Other bolt types (e.g. with mechanical detent mechanism in closed bolt position) on request

Bolt CEM-A
Bolt CEM-C mirror image

Dimension drawing

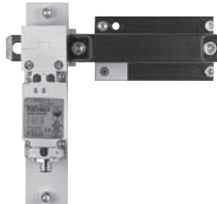


Ordering table

Designation	Detent mechanism	Type	Order No. / Item
Bolt CEM-A	Without	For doors hinged on the right	097 955 Bolt CEM-A
Bolt CEM-C	Without	For doors hinged on the left	097 957 Bolt CEM-C

Bolt CES-A-C

- ▶ For non-contact safety switch CES-A-C.../CES-A-W.../CES-AR...
- ▶ Connection to safety circuit using M12 plug connector
- ▶ For doors hinged on the right or left



Features

- ▶ Easy mounting of the safety switch on the bracket for the bolt tongue
- ▶ Uniquely coded actuator (one-off)
 - maximum protection against tampering
- ▶ Ball detent mechanism in closed bolt position
 - protection against vibration

Features

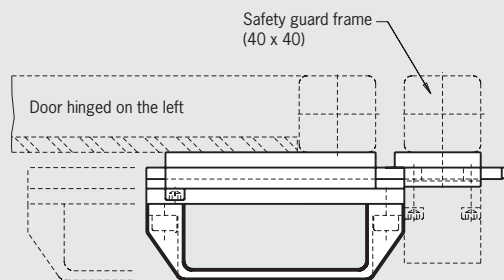
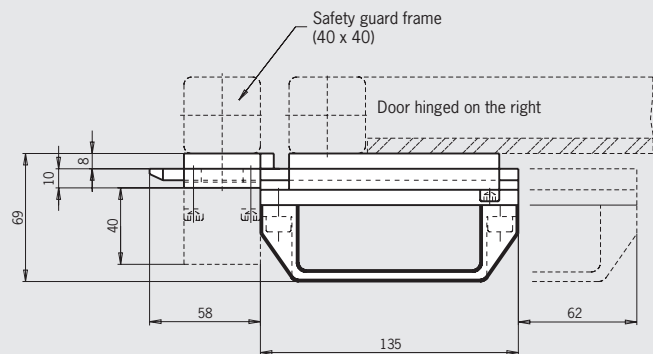
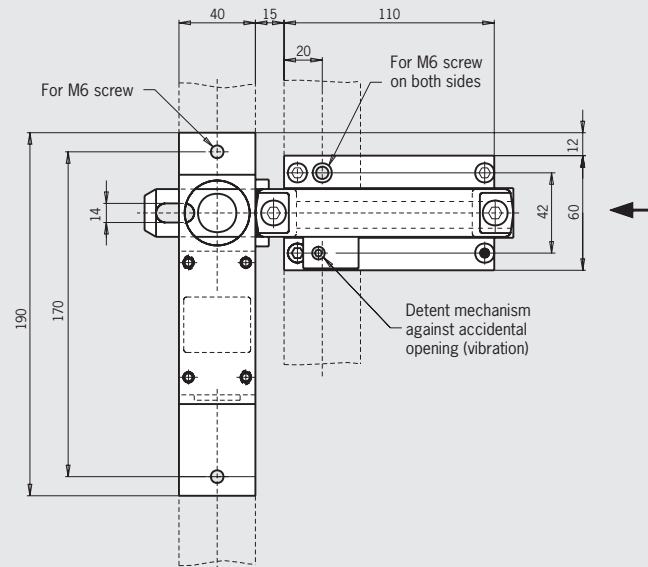
- ▶ Easily fitted to standard aluminum profiles and machine covers with screw connection
- ▶ Distinctive yellow color for easy recognition
- ▶ Symmetrical design for doors hinged on the right or left
- ▶ No additional door handle necessary

Notes

- ▶ CES actuator integrated in the bolt tongue
- ▶ Please order safety switch separately
- ▶ Other bolt types (e.g. with mechanical detent mechanism in closed bolt position) on request

Bolt CES-A-C

Dimension drawing

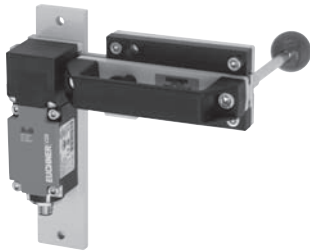


Ordering table

Designation	Detent mechanism	Type	Order No. / Item
Bolt CES-A-C	Closed position: Ball detent mechanism Open position: Without	For doors hinged on the right or left	082 220 CES-A-C

Bolt CES-A-C/F

- ▶ Lever for escape release from the danger area
- ▶ For non-contact safety switch CES-A-C.../CES-A-W.../CES-AR...
- ▶ Connection to safety circuit using M12 plug connector
- ▶ For doors hinged on the right or left



Features

- ▶ Easy mounting of the safety switch on the bracket for the bolt tongue
- ▶ Uniquely coded actuator (one-off)
 - maximum protection against tampering
- ▶ Bolt with detent mechanism
 - bolt latches in open position to prevent unintended closing
- ▶ Ball detent mechanism in closed bolt position
 - protection against vibration

Features

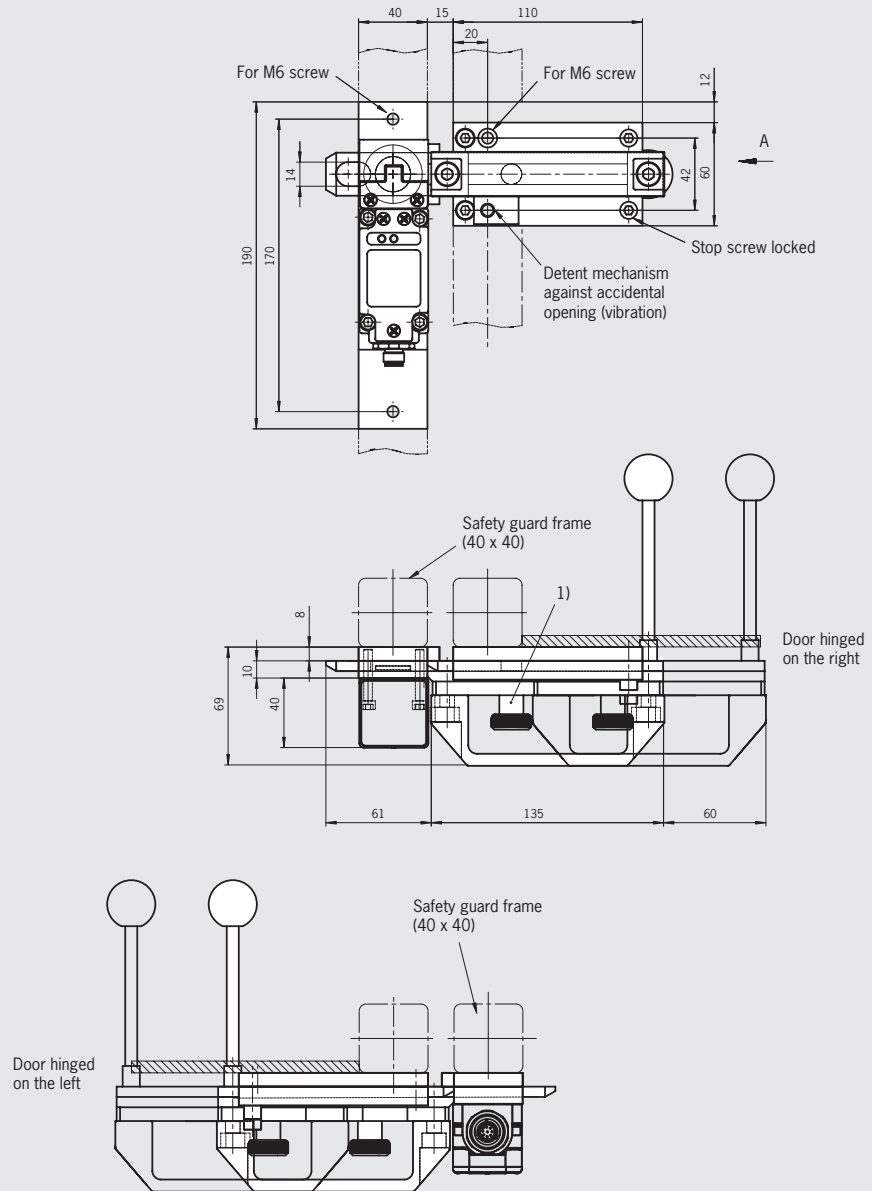
- ▶ Easily fitted to standard aluminum profiles and machine covers with screw connection
- ▶ Distinctive yellow color for easy recognition
- ▶ Symmetrical design for doors hinged on the right or left
- ▶ No additional door handle necessary

Notes

- ▶ CES actuator integrated in the bolt tongue
- ▶ Please order safety switch separately

Bolt CES-A-C/F

Dimension drawing



1) Bolt with detent mechanism latches in open position and prevents unintended closing of the bolt. Unlocked by pulling the detent knob upward.

Ordering table

Designation	Detent mechanism	Type	Order No. / Item
Bolt CES-A-C/F	Closed position: Ball detent mechanism Open position: Detent knob	For doors hinged on the right or left	098 357 CES-A-C/F

Bolt CET-A-C

- ▶ In combination with read head CET-AX or safety switch CET-AR
- ▶ For doors hinged on the right or left



Features

- ▶ Easy mounting of the read head on the bracket for the bolt tongue
- ▶ Uniquely coded actuator (one-off)
 - maximum protection against tampering

Features

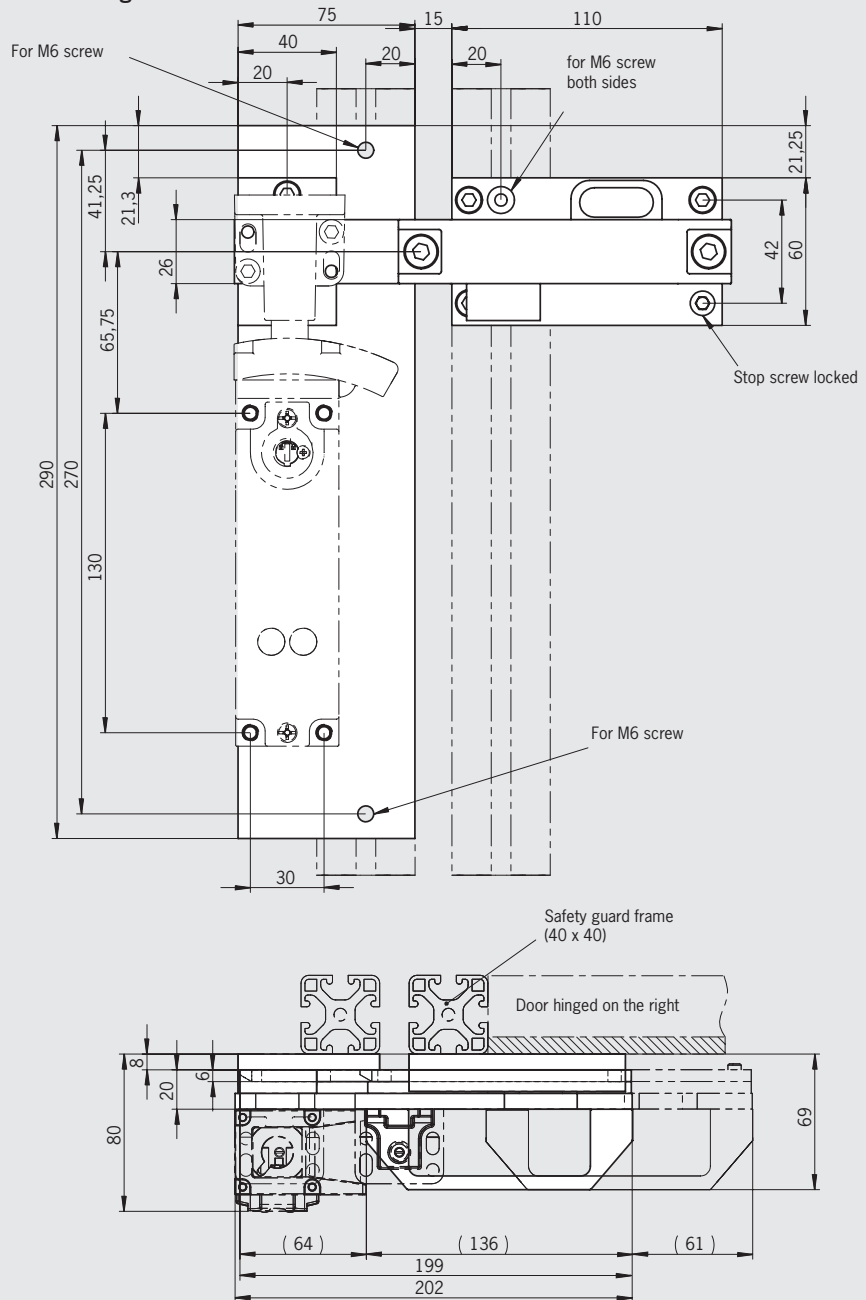
- ▶ Easily fitted to standard aluminum profiles and machine covers with screw connection
- ▶ Distinctive yellow color for easy recognition
- ▶ Symmetrical design for doors hinged on the right or left
- ▶ No additional door handle necessary

Notes

- ▶ Order read head, actuator and evaluation unit separately
- ▶ Other bolt types (e.g. with mechanical detent mechanism in closed bolt position) on request

Bolt CET-A-C

Dimension drawing



Ordering table

Designation	Detent mechanism	Type	Order No. / Item
Bolt CET-A-C	Without	For doors hinged on the right or left	104 309 Bolt CET-A-C
Bolt CET-A-C/F	Closed position: Without Open position: Detent knob	For doors hinged on the right or left, for CET with escape release	106 172 Bolt CET-A-C/F
Actuator CET	-	Locking force 5000 N	096 327 CET-A-BWK-50X